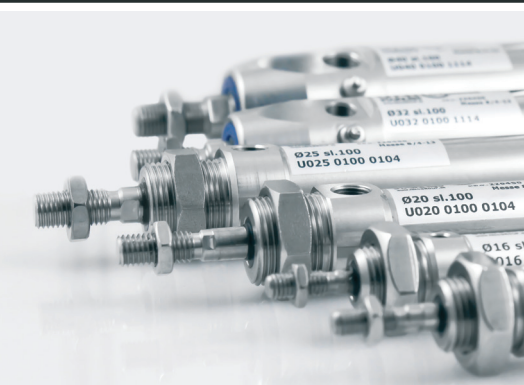


UNIC

Technical catalog



HNC
GROUP

HNC Group is part of
momentum
group 

UNIC

STAINLESS CYLINDER

UNIC Stainless Cylinder® are pneumatic stainless steel cylinders - developed and manufactured by HNC Group. A quality product made of stainless steel, especially designed with the high demands of the food and pharmaceutical industries in mind. Due to the practical and slim design of the UNIC Stainless Cylinder®, they can be cleaned and maintained quickly.

Over the years, HNC Group has built up a very large standard program of cylinders from Ø16 to Ø125 mm in diameter according to international standards, which means that HNC Group today has the widest standard program on the market.

In addition to the large range of standard cylinders, HNC Group can manufacture special cylinders based on the individual customer's wishes.



One of the largest standard programs in the world!

Due to our self-developed modular system for stainless steel cylinders and our dedicated employees, we have a standard program of over 900.000 different models.

Our service is far above average - we guarantee that.

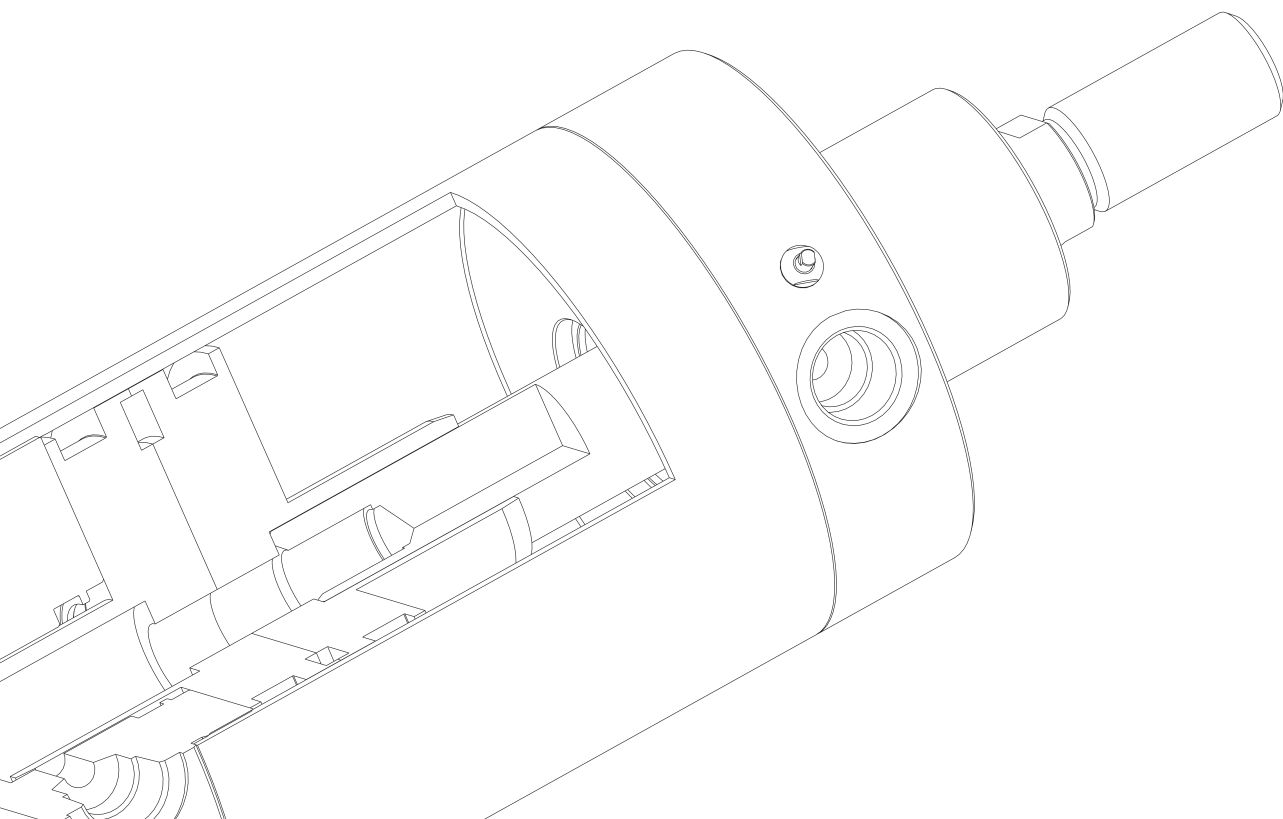


Ordering key

$\varnothing 25 \times 80 = \underline{\text{U025}} \underline{\text{0080}} \underline{\text{0512HA1}}$

① ② ③ ④ ⑤ ⑥ ⑦

1	UNIC Stainless Cylinder®
2	Diameter (Ø)
3	Stroke (mm)
4	Front cap
5	Rear cap
6	Heat-resistant cylinder: H
	Chemical-resistant cylinder: C
	Cylinder with PTFE wiper: P
7	Cylinder with adapter A1 or A2



UNIC

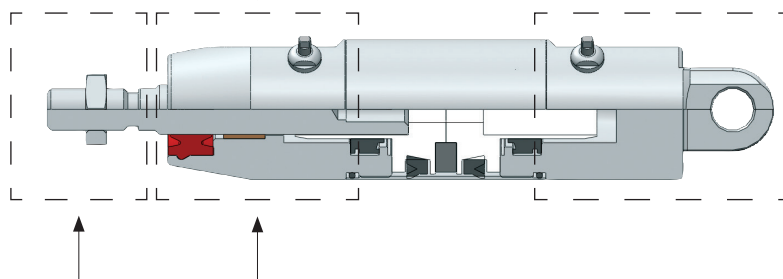
STAINLESS CYLINDER

Ordering key	5
Type overview	6-7
Standard cylinder DIN/ISO 6432	8-9
Standard cylinder DIN/ISO 15552	10-17
Rodless cylinder	18-19
Compact Cylinder ISO 21287	20-21
Festo compatible	22-23
Cylinder accessories	24-35
Custom cylinders	37
Repair kit for cylinders	38
Theoretical cylinder forces	39

Type overview

UNIC
STAINLESS CYLINDER

	Type				
Front caps	01	03	05	07	09
	11	13	17	15	19
	02	04	06	08	10
	12	14	16	18	24
	26	20	28	22	





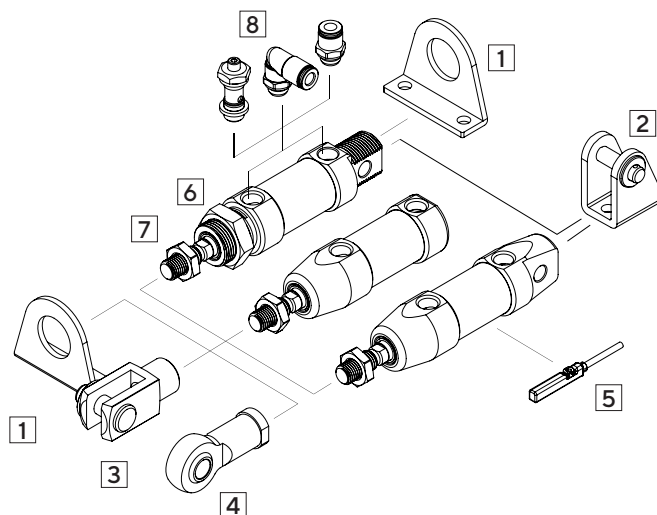
Type overview

	Type				
Cylinder accessories					
With tie rods	2130 	Rodless-cylinder	4040 / 4041 		
Compact	UG 	IG 	MF 		
Festo compatible	1112 	2538 	2334 		

Standard cylinder DIN/ISO 6432

Ø12 mm - Ø25 mm

UNIC
STAINLESS CYLINDER



Specifications

Diameter	Ø12 mm - Ø25 mm
Standard	DIN/ISO 6432
Maximum pressure	10 Bar
Temperature	-20°C til +80°C
Standard strokes	10-500 mm

Materials

Piston rod, Accessories, Cylinder tube, Front and rear caps	AISI 304 / (EN 1.4301)
Piston	POM / Aluminium
Wiper	Nitrile rubber / polyurethane
O-ring	Viton

Standard

Magnet for detection
Adjustable end stroke-cushioning (Only Ø20 and Ø25)

Types

	F. cap	R. cap	Cushioning	F. cap	R. cap
0102	Thread	Thread / swivel	0508	Thread	Thread / swivel
0104	Thread	Flat	0510	Thread	Flat
0106	Thread	Swivel	0512	Thread	Swivel
0302	Conical	Thread / swivel	0708	Conical	Thread / swivel
0304	Conical	Flat	0710	Conical	Flat
0306	Conical	Swivel	0712	Conical	Swivel

Ordering key

Ø25 x 125 mm = **U025 0125 0302C**

Heat-resistant cylinder:	H
Chemical resistant cylinder:	C
Cylinder with adapter	A1 or A2

Accessories

	Page ->
1 Foot mounting	27
2 Counter-support 90°	27
3 Rod clevis	26
4 Rod eye	26
5 Reed sensor	34
6 Neck nut	25
7 Piston rod nut	25
8 Fittings	35

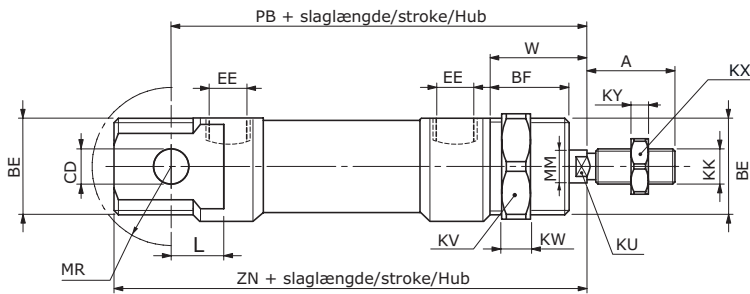
Options

AISI 316L (EN 1.4404)
ATEX
Cylinder with enhanced chemical resistance
Heat-resistant cylinder max +150°C
Adapter
Spring return or forward
Customized according to request
Renovation / Rep. kit (Page 38)

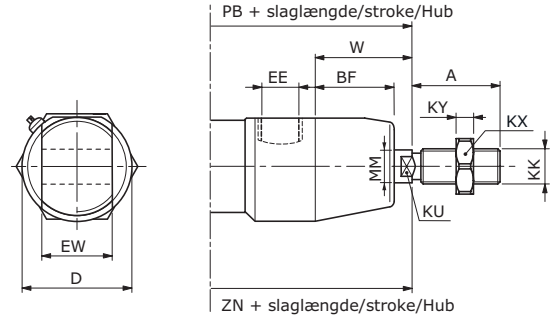


Standard cylinder DIN/ISO 6432

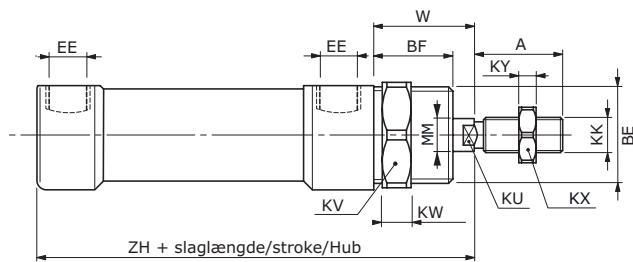
Technical data



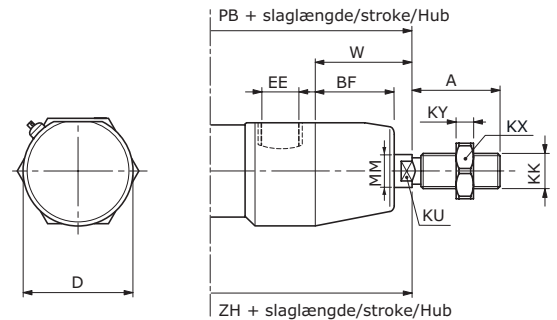
0102/0508



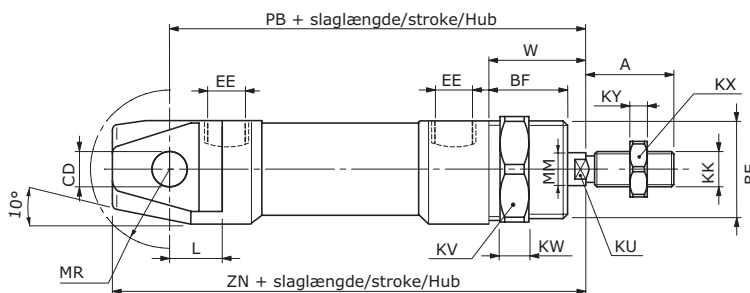
0302/0708



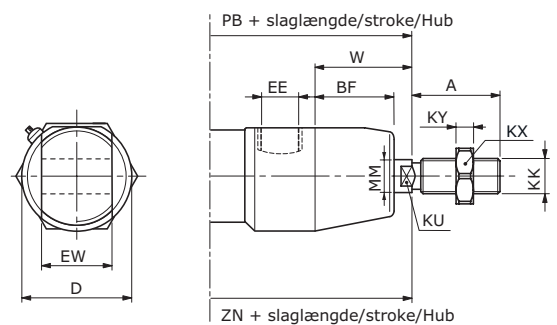
0104/0510



0304/0710



0106/0512



0306/0712

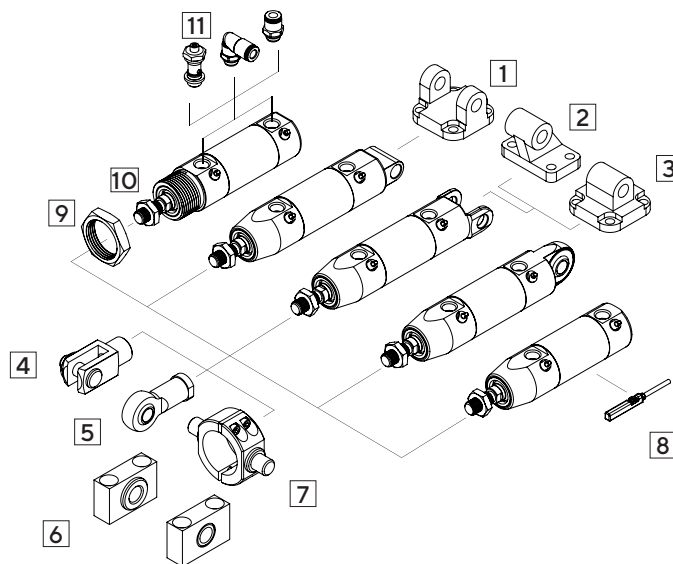
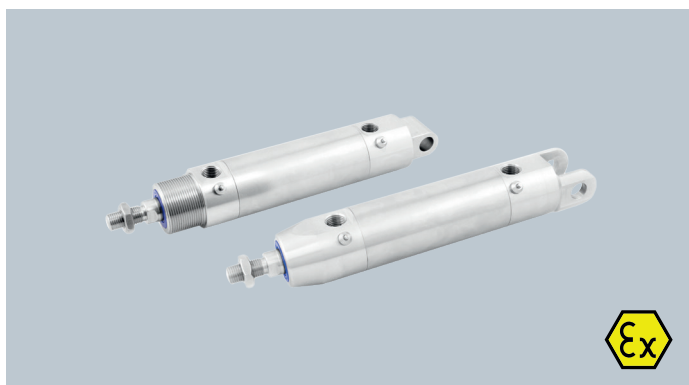
Ø	A	BE	BF	CD	D	EE	EW	KK	KU	KV	KW	KX	KY	L	MM	MR	PB	W	ZH	ZN
12	15	M16x1,5	15	Ø6	20	M5	12	M6	5	24	7	10	5	9	Ø6	12	75	20	69	86
16	16	M16x1,5	16	Ø6	20	M5	12	M6	5	24	7	10	5	9	Ø6	12	82	22	76	92
20	20	M22x1,5	18	Ø8	27	G1/8"	16	M8	6	27	7	13	4	12	Ø8	18	95	24	90	108
25	22	M22x1,5	21	Ø8	30	G1/8"	16	M10x1,25	8	27	7	17	5	12	Ø10	16	104,7	28,5	95,7	116,7

*Note. All dimensions are with 0.0 mm stroke.

Standard cylinder DIN/ISO 15552

Ø32 mm - Ø63 mm | 28-08-2023

UNIC
STAINLESS CYLINDER



Specifications

Diameter:	Ø32 mm - Ø63 mm
Standard:	DIN/ISO 15552
Maximum pressure:	10 Bar
Temperature:	-20°C til +80°C
Standard strokes:	10-500 mm

Materials

Piston rod, Accessories, Cylinder tube, Front and rear caps	AISI 304 / (EN 1.4301)
Piston:	POM / Aluminium
Wiper:	Nitrile rubber / polyurethane
O-rings:	Viton

Standard

Magnet for detection
Adjustable end stroke-cushioning

Types

	F. cap	R. cap		F. cap	R. cap
0914	Thread	Flat	1114	Conical	Flat
0916	Thread	Swivel	1116	Conical	Swivel
0918	Thread	Clevis mounting	1118	Conical	Clevis mounting
0924	Thread	Rod eye	1124	Conical	Rod eye
0926	Thread	Mounting thread	1126	Conical	Mounting thread

Ordering key

Ø40 x 150 mm = U040 0150 0918P	
Heat-resistant cylinder:	H
Chemical resistant cylinder:	C
Cylinder with PTFE wiper:	P
Cylinder with adapter	A1 or A2

Accessories

Page ->

1	Clevis mounting	29
2	Counter-support 90°	28
3	Counter-support	28
4	Rod clevis	26
5	Rod eye	26
6	Pivot attachment	32
7	Swivel bearing	33
8	Reed sensor	34
9	Neck nut	25
10	Piston rod nut	25
11	Fittings	35

Options

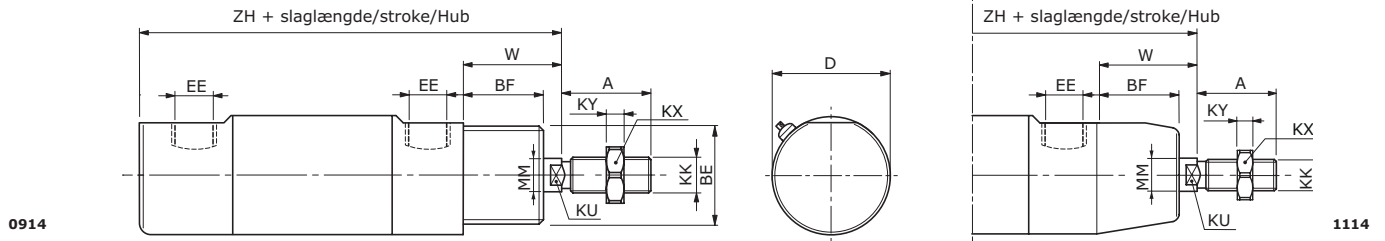
AISI 316L (EN 1.4404)
ATEX
Cylinder with enhanced chemical resistance
Heat-resistant cylinder max +150°C
Adapter
Spring return or forward
Customized according to request
Renovation / Rep. kit (Page 38)



Standard cylinder DIN/ISO 15552

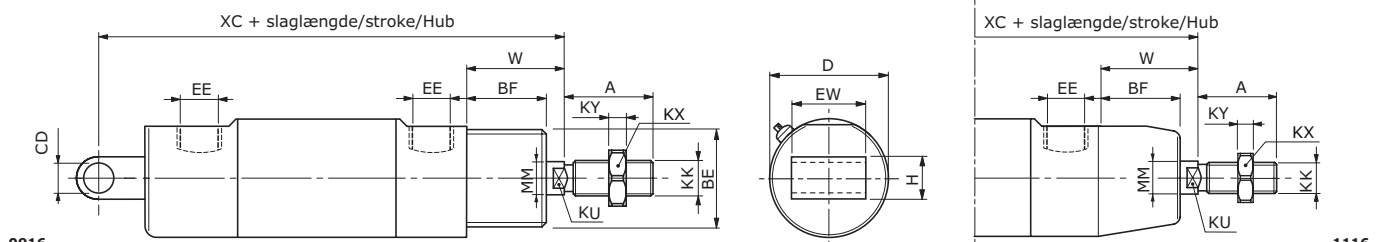
UNIC
STAINLESS CYLINDER

Technical data | 28-08-2023



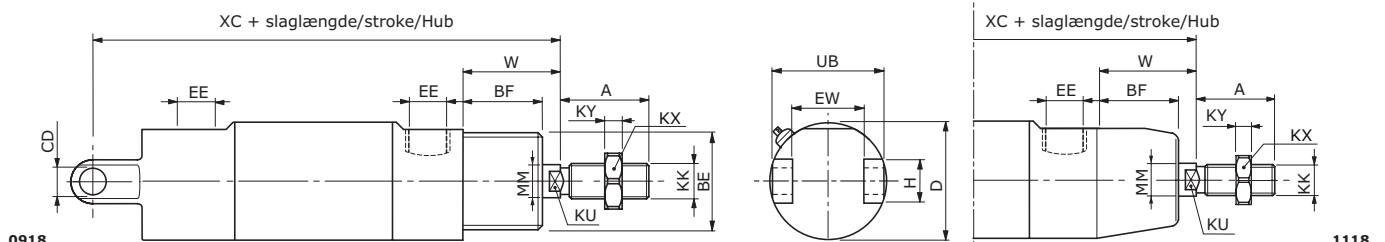
0914

1114



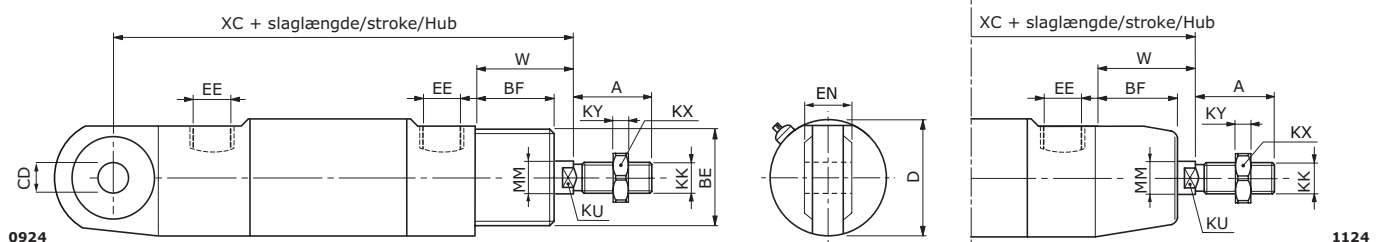
0916

1116



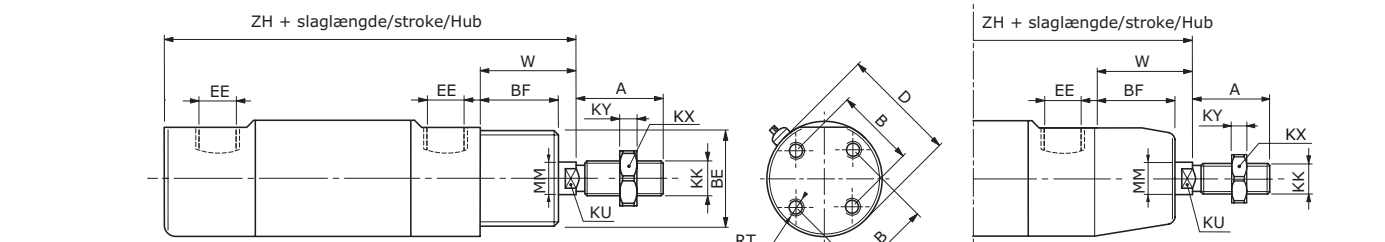
0918

1118



0924

1124



0926

1126

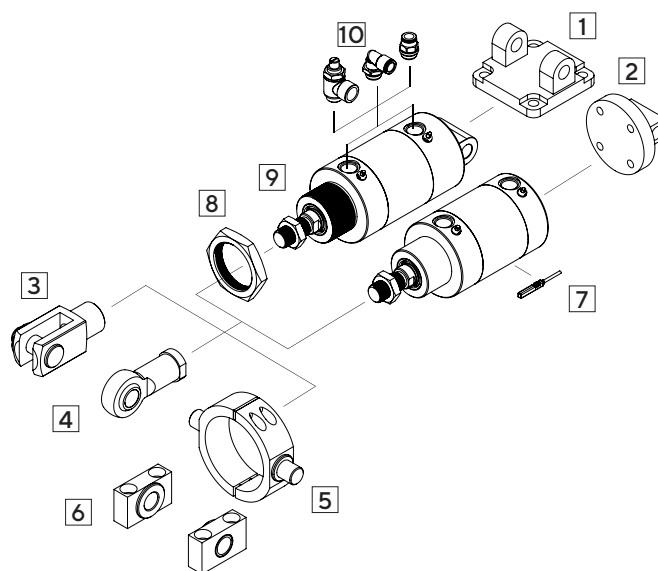
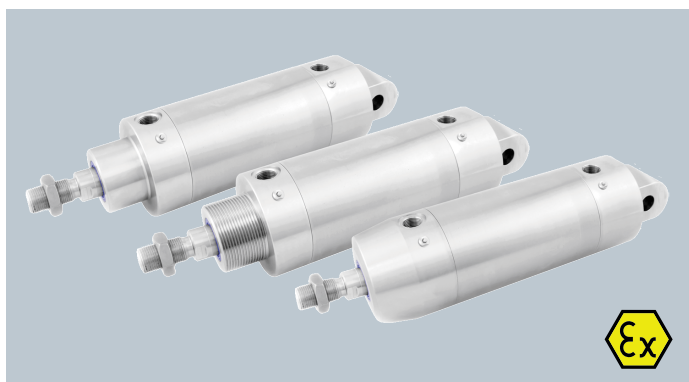
Ø	A	B	BE	BF	CD	D	EE	EW	H	KK	KU	KX	KY	MM	RT	W	XC	ZH
32	22	25	M30x1,50	20	Ø10	33,60	G1/8"	26	15	M10x1,25	10	17	5	Ø12	M5	27	143	121
40	24	32	M36x1,50	22	Ø12	41,60	G1/4"	28	20	M12x1,25	13	19	6	Ø16	M6	31	161	136
50	32	38	M42x1,50	29	Ø16	52,40	G1/4"	32	20	M16x1,50	17	24	6	Ø20	M8	38	171	144
63	32	38	M42x1,50	29	Ø16	65,40	G3/8"	40	22	M16x1,50	17	24	6	Ø20	M8	38	191	159

*Note. All dimensions are with 0.0 mm stroke.

Standard cylinder DIN/ISO 15552

Ø80 mm - Ø125 mm

UNIC
STAINLESS CYLINDER



Specifications

Diameter:	Ø80 mm - Ø125 mm
Standard:	DIN/ISO 15552
Maximum pressure:	10 Bar
Temperature:	-20°C til +80°C
Standard strokes:	10-500 mm

Materials

Piston rod, Accessories, Cylinder tube, Front and rear caps	AISI 304 / (EN 1.4301)
Piston:	POM / Aluminium
Wiper:	Nitrile rubber / polyurethane
O-ring:	Viton

Standard

Magnet for detection
Adjustable end stroke-cushioning

Types

	F. cap	R. cap		F. cap	R. cap
1320	No thread	Mounting thread	1120	Conical	Mounting thread
1328	No thread	Swivel	1128	Conical	Swivel
1720	Thread	Mounting thread			
1728	Thread	Swivel			

Ordering key

Ø100 x 200 mm = **U100 0200 1720A1**

Heat-resistant cylinder:	H
Chemical resistant cylinder:	C
Cylinder with PTFE wiper:	P
Cylinder with adapter	A1 or A2

Accessories

		Page ->
1	Clevis mounting	29
2	Counter-support	30
3	Rod clevis	28
4	Rod eye	28
5	Pivot attachment	32
6	Swivel bearing	33
7	Reed sensor	34
8	Neck nut	25
9	Piston rod nut	25
10	Fittings	35

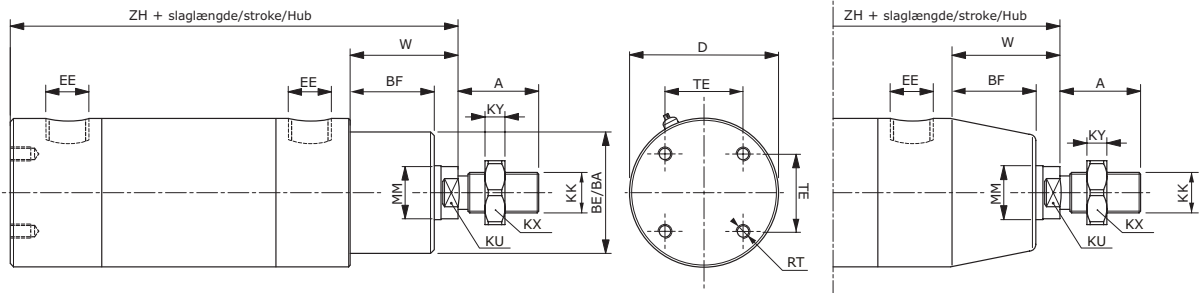
Options

AISI 316L (EN 1.4404)
ATEX
Cylinder with enhanced chemical resistance
Heat-resistant cylinder max +150°C
Adapter
Spring return or forward
Customized according to request
Renovation / Rep. kit (Page 38)



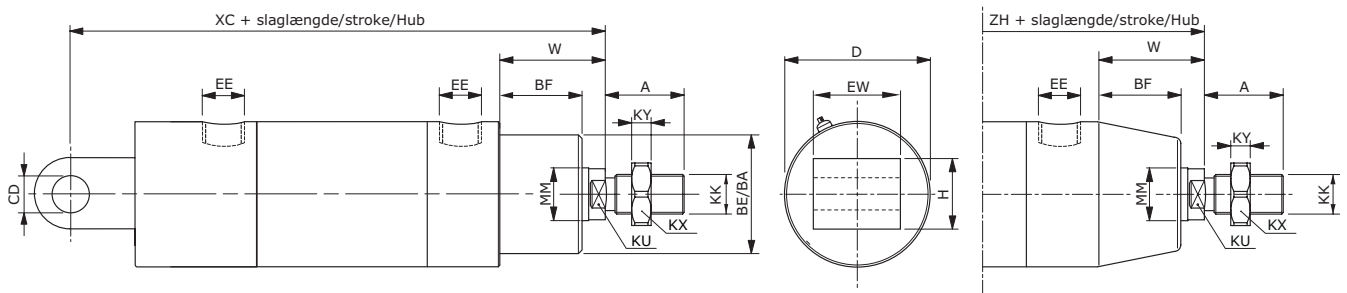
Standard cylinder DIN/ISO 15552

Technical data



1320/1720

1120



1328/1728

1128

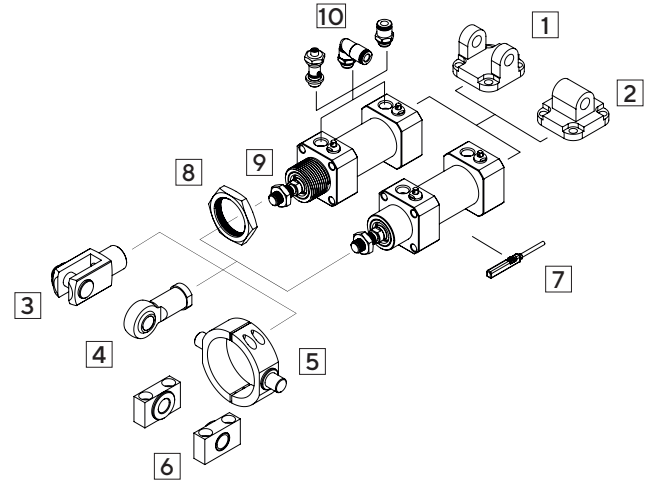
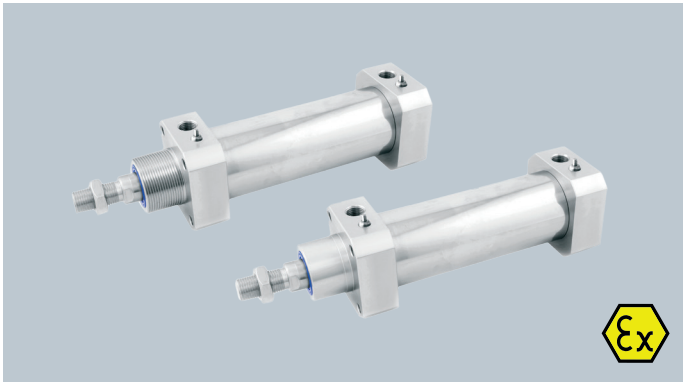
Ø	A	BE ²⁾	BA ¹⁾	BF	CD	D	EE	EW	H	KK	KU	KX	KY	MM	RT	TE	W	XC	ZH
80	40	M55x1,50	Ø55	35	16	Ø86	G3/8"	50	32	M20x1,50	22	30	9	Ø25	M8	45	46	211	175
100	40	M55x1,50	Ø55	38	20	Ø106	G1/2"	60	34	M20x1,50	22	30	9	Ø25	M10	55	51	230	190
125	54	M60x2	Ø60	50	30	Ø132	G1/2"	70	40	M27x2	27	41	13,50	Ø32	M12	70	65	275	226

*Note. All dimensions are with 0.0 mm stroke.

¹⁾ Cylinder with cylindrical front cap (no. 13) ²⁾ Cylinder with threaded front cap (no. 17)

Standard cylinder DIN/ISO 15552

Ø32 mm - Ø125 mm (VDMA)

Specifications

Diameter:	Ø32 mm - Ø125 mm
Standard:	DIN/ISO 15552
Maximum pressure:	10 Bar
Temperature:	-20°C til +80°C
Standard strokes:	10-500 mm

Materials

Piston rod, Accessories, Cylinder tube, Front and rear caps	AISI 304 / (EN 1.4301)
Piston:	POM / Aluminium
Wiper:	Nitrile rubber / polyurethane
O-rings:	Viton

Standard

Magnet for detection
Adjustable end stroke-cushioning

Types

	Front cap	Rear cap
1522	No thread	Mounting thread
1922	Thread	Mounting thread

Ordering key

Ø100 x 200 mm = **U100 0200 1922A1**

Heat-resistant cylinder:	H
Chemical resistant cylinder:	C
Cylinder with PTFE wiper:	P
Cylinder with adapter	A1 or A2

Accessories

Page ->

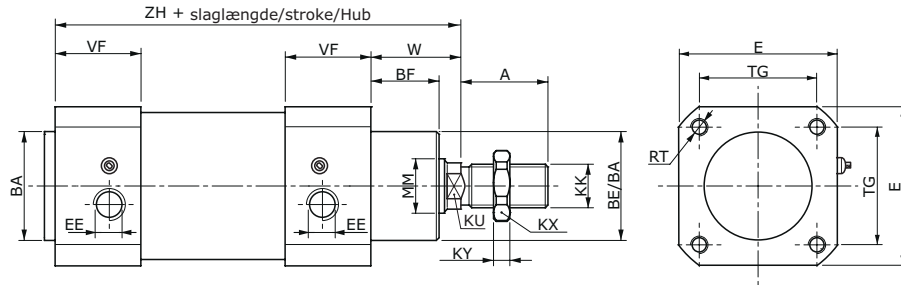
1	Clevis mounting	29
2	Counter-support	30
3	Rod clevis	28
4	Rod eye	28
5	Pivot attachment	32
6	Swivel bearing	33
7	Reed sensor	34
8	Neck nut	25
9	Piston rod nut	25
10	Fittings	35

Options

AISI 316L (EN 1.4404)
ATEX
Cylinder with enhanced chemical resistance
Heat-resistant cylinder max +150°C
Adapter
Spring return or forward
Customized according to request
Renovation / Rep. kit (Page 38)

Standard cylinder DIN/ISO 15552

Technical data



1522/1922

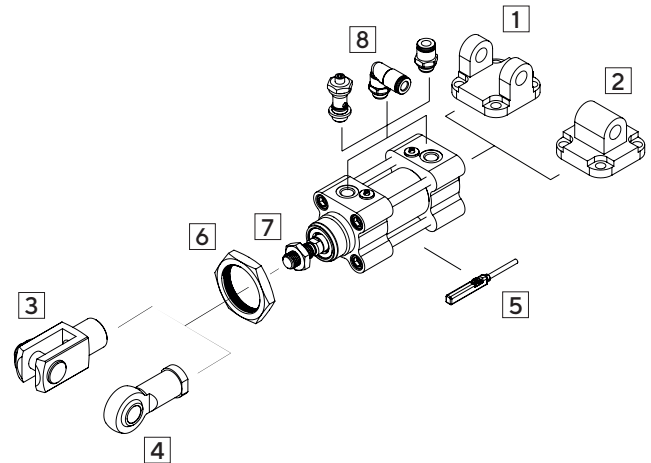
Ø	A	BE ²⁾	BA ¹⁾	BF	E	EE	KK	KU	KX	KY	MM	RT	TG	VF	W	ZH
32	22	M30x1,50	Ø30	20	45	G1/8"	M10x1,25	NV10	NV17	5	Ø12	M6	32,50	23	27	121
40	24	M36x1,50	Ø35	22	55	G1/4"	M12x1,25	NV13	NV19	6	Ø16	M6	38	27,50	31	136
50	32	M42x1,50	Ø40	29	65	G1/4"	M16x1,50	NV17	NV24	6	Ø20	M8	46,50	26	38	144
63	32	M42x1,50	Ø40	29	75	G3/8"	M16x1,50	NV17	NV24	6	Ø20	M8	56,50	29,50	38	159
80	40	M55x1,50	Ø55	35	95	G3/8"	M20x1,50	NV22	NV30	9	Ø25	M10	72	31	47	175
100	40	M55x1,50	Ø55	38	115	G1/2"	M20x1,50	NV22	NV30	9	Ø25	M10	89	31	52	190
125	51	M60x2	Ø60	50	140	G1/2"	M27x2	NV27	NV41	13,50	Ø32	M12	110	39	66	226

*Note. All dimensions are with 0.0 mm stroke.

¹⁾ Cylinder with cylindrical front cap (no. 15) ²⁾ Cylinder with threaded front cap (no. 19)

Standard cylinder DIN/ISO 15552

Ø32 mm - Ø100 mm (With tie rods)

Specifications

Diameter:	Ø32 mm - Ø100 mm
Standard:	DIN/ISO 15552
Maximum pressure:	10 Bar
Temperature:	-20°C til +80°C
Standard strokes:	25-1000 mm

Materials

Piston rod, Accessories, Cylinder tube, Front and rear caps	AISI 304 / (EN 1.4301)
Piston:	POM / Aluminium
Wiper:	Nitrile rubber / polyurethane
O-ring:	Viton

Standard

Magnet for detection
Adjustable end stroke-cushioning

Types

2130	Mounting thread
------	-----------------

Ordering key

Ø40 x 150 mm = **U040 0150 0918**

Accessories

		Page ->
1	Clevis mounting	29
2	Counter-support	30
3	Rod clevis	28
4	Rod eye	28
5	Reed sensor	34
6	Neck nut	25
7	Piston rod nut	25
8	Fittings	35

Options

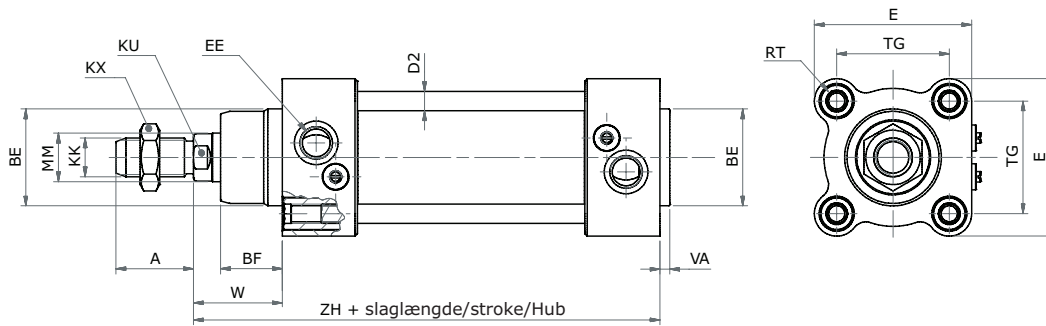
AISI 316L (EN 1.4404)
Cylinder with enhanced chemical resistance
Heat-resistant cylinder max +150°C
Spring return or forward
Customized according to request
Renovation / Rep. kit (Page 38)



Standard cylinder DIN/ISO 15552

UNIC
STAINLESS CYLINDER

Technical data



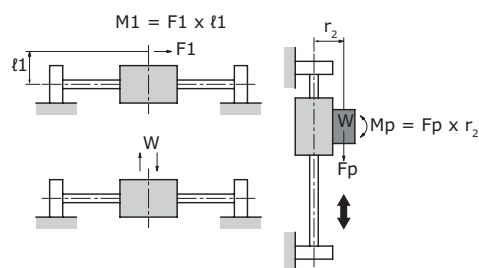
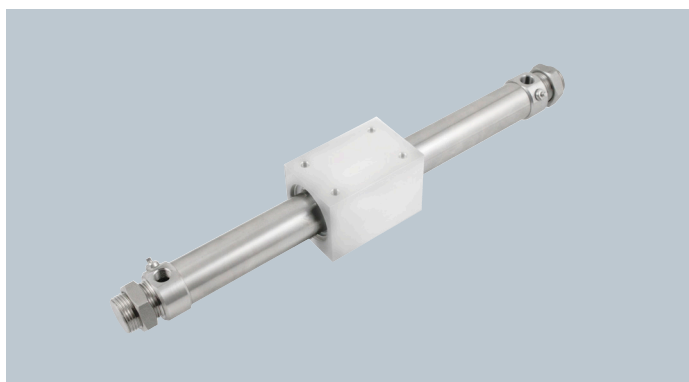
2130

Ø	A	BE	BF	E	EE	KK	KU	KX	D2	MM	RT	TG	W	ZH
32	22	Ø30	18	48	G1/8"	M10x1,25	10	17	6	Ø12	M6	32,5	26	121
40	24	Ø35	22	52	G1/4"	M12x1,25	13	19	6	Ø16	M6	38	30	136
50	32	Ø40	25,5	65	G1/4"	M16x1,50	17	24	8	Ø20	M8	46,5	37	144
63	32	Ø45	26	75	G3/8"	M16x1,50	17	24	8	Ø20	M8	56,5	37	159
80	40	Ø45	32	95	G3/8"	M20x1,50	22	30	10	Ø25	M10	72	46	175
100	40	Ø55	38	115	G1/2"	M20x1,50	22	30	10	Ø25	M10	89	51	190

*Note. All dimensions are with 0.0 mm stroke.

Rodless cylinder

Ø25 mm - Ø40 mm | 4040 / 4041

UNIC
 STAINLESS CYLINDER


Last og moment

Ø	Horizontal load W (kg)	Safe moment Mp (kgf · m)
25	6,8	3,92
32	9,7	8,83
40	15,8	13,70

Specifications

Diameter:	Ø25 mm - Ø40 mm
Maximum pressure:	10 Bar
Temperature:	-20°C til +80°C
Standard strokes:	10-500 mm

Materials

Piston rod, Accessories, Cylinder tube, Front and rear caps	AISI 304 / (EN 1.4301)
Housing	POM-C FG (Food approved) PTFE (Heat-resistant version)
Wiper:	Viton / Polyuretan
O-ringe:	Viton

Standard

Adjustable end stroke-cushioning

Types

4040	Without guide
4041	With guide (anti-rotational)

Options

Heat-resistant cylinder max +150°C

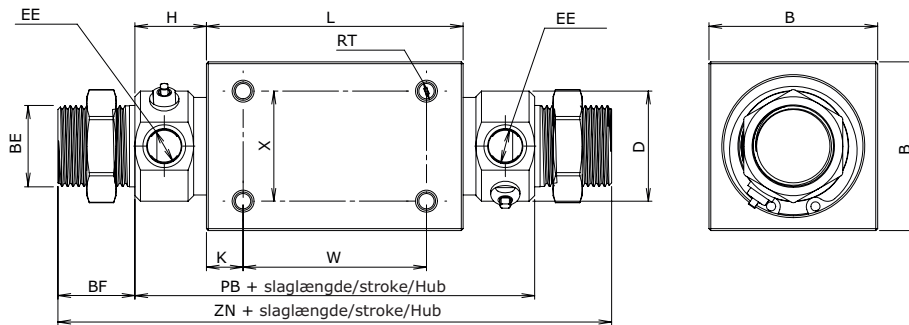
Customized according to request



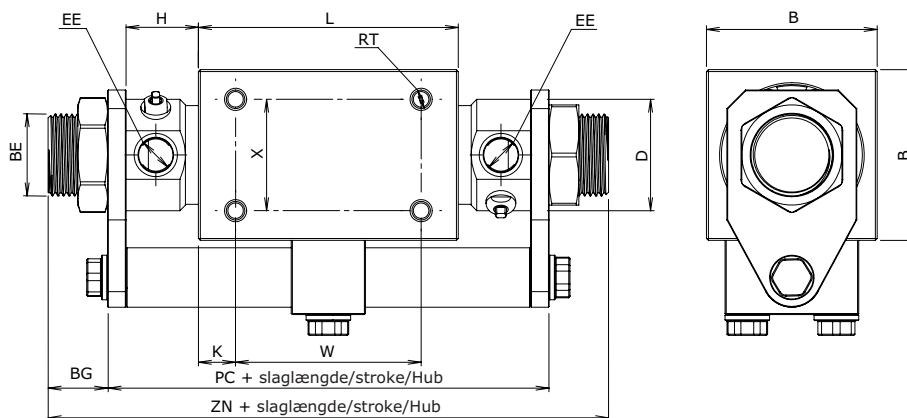
Rodless cylinder

Technical data

UNIC
STAINLESS CYLINDER



4040



4041

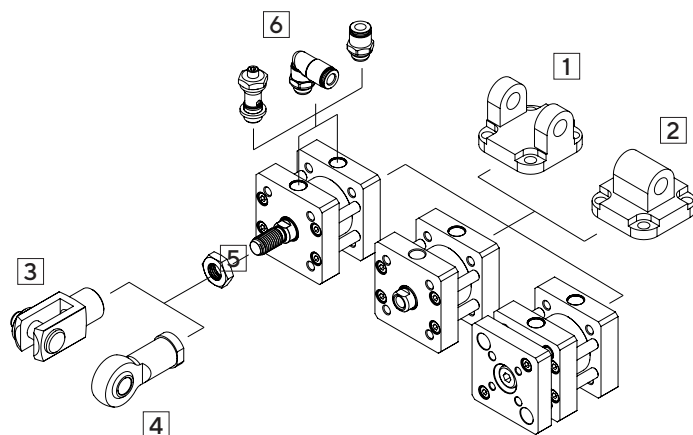
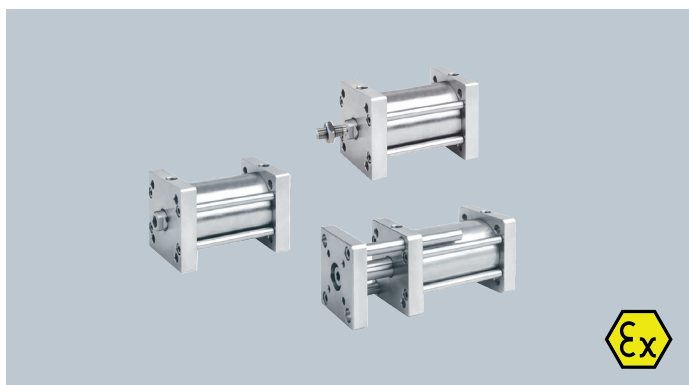
Ø	B	BE	BF	BG	D	EE	H	K	L	PB	PC	RT	W	X	ZN
25	46	M22x1,50	21	16	30	G1/8"	20,50	10	70	109	119	M5	50	30	151
32	60	M30x1,50	20	15	33,60	G1/8"	22	15	80	135	145	M6	50	40	175
40	70	M38x1,50	22	17	46	G1/4"	29	16	92	148	158	M6	60	40	192

*Note. All dimensions are with 0.0 mm stroke.

Compact Cylinder ISO 21287

Ø20 mm - Ø100 mm

UNIC
STAINLESS CYLINDER



Specifications

Diameter	Ø20 mm - Ø100 mm
Standard	ISO 21287
Maximum pressure	10 Bar
Temperature	-20°C til +80°C
Standard strokes	10-500 mm

Materials

Piston rod, Accessories, Cylinder tube, Front and rear caps	AISI 304 / (EN 1.4301)
Piston	Aluminium
Wiper	Nitrile rubber / polyurethane
O-rings	Viton

Standard

Magnet for detection
Adjustable end stroke-cushioning

Types

5150-UG	Male piston rod thread
5150-IG	Female piston rod thread
5150-MF	With guide (anti-rotational)

Ordering key

Ø25 x 125 mm = **U025 0125 5150-UG**

Accessories

		Page ->
1	Clevis mounting	29
2	Counter-support	30
3	Rod clevis	28
4	Rod eye	28
5	Piston rod nut	25
6	Fittings	35

Options

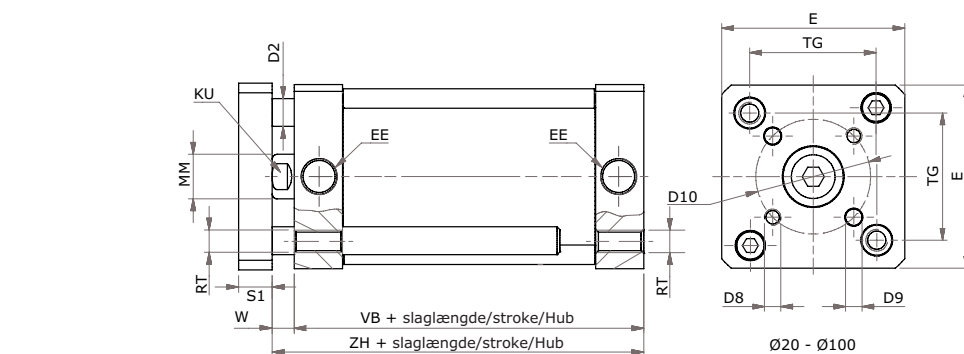
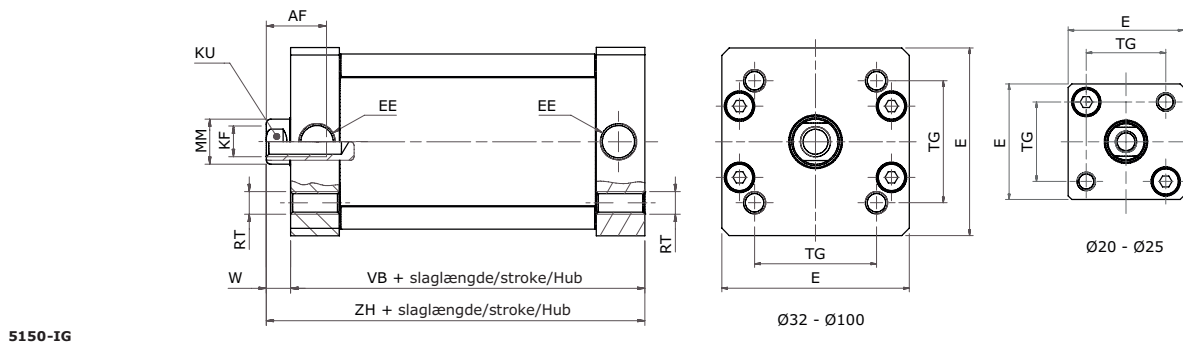
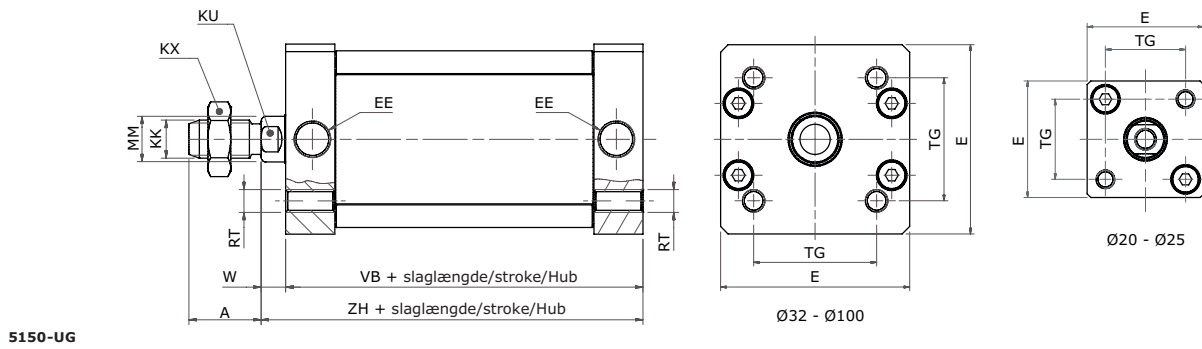
AISI 316L (EN 1.4404)
Cylinder with enhanced chemical resistance
Heat-resistant cylinder max +150°C
ATEX
FDA
Customized according to request
Renovation / Rep. kit (Page 38)



Compact Cylinder ISO 21287

UNIC
STAINLESS CYLINDER

Technical data



Ø	A	AF	D2	D8	D9	D10	E	EE	KF	KK	KU	KX	MM	RT	S1	TG	VB	W	ZH	Male piston rod thread	Indv. gevind på st.st	Med føring
20	16	10	6	M4	4	17	32	M5	M6	M8	8	13	Ø10	M5	8	22	37	6,50	43,50	-UG	-IG	-MF
25	16	10	6	M5	5	22	36	M5	M6	M8	8	13	Ø10	M5	8	26	39	6	45	-UG	-IG	-MF
32	19	12	6	M5	5	28	50	G1/8"	M8	M10x1,25	10	17	Ø12	M6	10	32,50	44	6,50	50,50	-UG	-IG	-MF
40	19	12	8	M5	5	33	57	G1/8"	M8	M10x1,25	10	17	Ø12	M6	10	38	45	7	52	-UG	-IG	-MF
50	22	16	10	M6	6	42	67	G1/8"	M10	M12x1,25	13	19	Ø16	M8	12	46,50	45	8	53	-UG	-IG	-MF
63	22	16	10	M6	6	50	80	G1/8"	M10	M12x1,25	13	19	Ø16	M8	12	56,50	49	8	57	-UG	-IG	-MF
80	28	20	12	M8	8	65	96	G1/8"	M12	M16x1,50	17	24	Ø20	M10	14	72	54	10	64	-UG	-IG	-MF
100	28	20	14	M10	10	80	116	G1/8"	M12	M16x1,50	22	24	Ø25	M10	14	89	67	10	77	-UG	-IG	-MF

*Note. All dimensions are with 0.0 mm stroke.

Festo compatible

Ø32 mm - Ø63 mm (CRDSNU/ CRDSW)

UNIC
STAINLESS CYLINDER



Options

- _____ AISI 316L (EN 1.4404)
- _____ Cylinder with enhanced chemical resistance
- _____ Heat-resistant cylinder max +150°C
- _____ Customized according to request
- _____ Renovation / Rep. kit (Page 38)

Specifications

Diameter:	Ø32 mm - Ø63 mm
Replaces:	CRDSNU / CRDSW
Maximum pressure:	10 Bar
Temperature:	-20°C til +80°C
Standard strokes:	10-500 mm

Materials

Piston rod, Accessories, Cylinder tube, Front and rear caps	AISI 304 / (EN 1.4301)
Piston:	POM
Wiper:	Nitrile rubber / polyurethane
O-ring:	Viton

Standard

- _____ Magnet for detection
- _____ Adjustable end stroke-cushioning

Types

1112	With swivel
2538	With thread (Without cushioning)
2334	With thread (With cushioning)

Ordering key

Ø40 x 150 mm = **U040 0150 0918C**

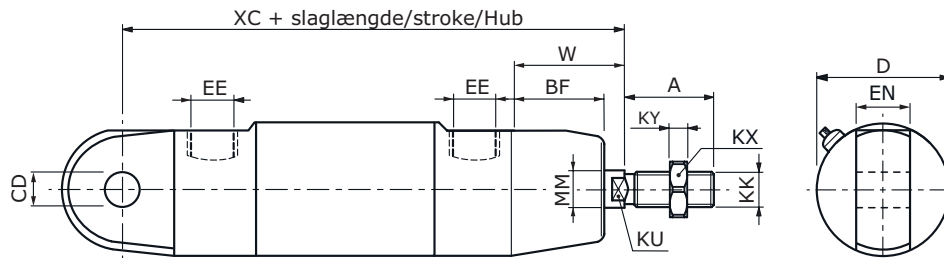
Heat-resistant cylinder (Does not apply 1112):	H
Chemical resistant cylinder:	C
Cylinder with PTFE wiper:	P



Festo compatible

Technical data

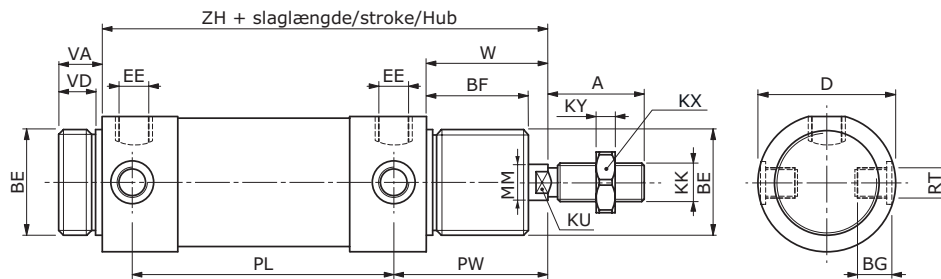
UNIC
STAINLESS CYLINDER



1112 (CRDSNU)

Ø	A	BF	CD	D	EE	KK	KU	KX	KY	MM	W	XC
32	22	20	Ø10	33,6	G1/8"	M10x1,25	10	17	5	Ø12	34	118
40	24	22	Ø12	41,6	G1/4"	M12x1,25	13	19	6	Ø16	39	140
50	32	29	Ø12	52,4	G1/4"	M16x1,50	17	24	6	Ø20	44	147
63	32	29	Ø16	65,4	G3/8"	M16x1,50	17	24	6	Ø20	44	156

*Note. All dimensions are with 0.0 mm stroke.



2538/2334 (CRDSW)

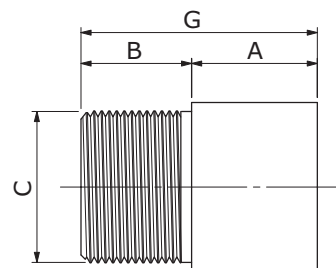
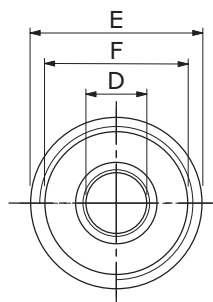
Ø	A	BE	BF	BG	D	EE	KK	KU	KX	KY	MM	PL	PW	RT	VA	VD	W	ZH
32	22	M30x1,50	30	6,6	38	G1/8"	M10x1,25	10	17	5	Ø12	78	47	M8x1,00	14	12	38	134
40	24	M38x1,50	35	9,6	49	G1/4"	M12x1,25	13	19	6	Ø16	89	57	M10x1,00	16	13	45	158
50	32	M45x1,50	38	12,6	59	G1/4"	M16x1,50	17	24	6	Ø20	96	62	M12x1,50	18	15	50	170
63	32	M45x1,50	38	15,5	70	G3/8"	M16x1,50	17	24	6	Ø20	98	63	M14x1,50	18	15	50	174

*Note. All dimensions are with 0.0 mm stroke.

Adaptor A1

Ø25 mm - Ø125 mm | AISI 304 (EN 1.4301) *Available in AISI 316L (EN 1.4404) | Wiper PTFE

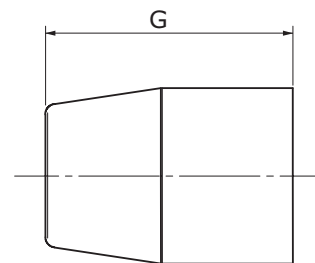
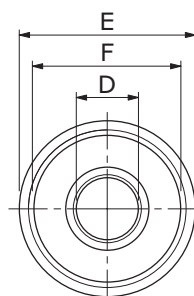
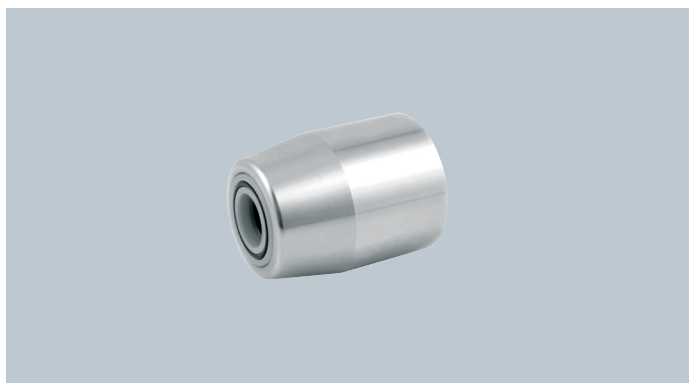
UNIC
STAINLESS CYLINDER



Ø	A	B	C	D	E	F	G	kg	Rep. set	Item number
25	24	21	M22x1,5	Ø10	26,8	M22x1,5	45	0,08	U1902542-P	U1902548-48
32	25	20	M30x1,5	Ø12	33,6	M30x1,5	47	0,15	U1903242-P	U1903248-48
40	28	22	M36x1,5	Ø16	41,6	M36x1,5	50	0,25	U1904042-P	U1904048-48
50	34	29	M42x1,5	Ø20	52,4	M42x1,5	63	0,40	U1905042-P	U1905048-48
63	34	29	M42x1,5	Ø20	65,4	M42x1,5	63	0,55	U1906342-P	U1906348-48
80	40	35	M55x1,50	Ø25	86	M55x1,5	75	1,00	U1908042-P	U1908048-48
100	43	38	M55x1,50	Ø25	106	M55x1,5	81	1,90	U1910042-P	U1910048-48
125	55,0	50	M60x2,0	Ø32	132	M60x2,0	105	4,50	U1912542-P	U1912548-48

Adaptor A2

Ø25 mm - Ø125 mm | AISI 304 (EN 1.4301) *Available in AISI 316L (EN 1.4404) | Wiper PTFE



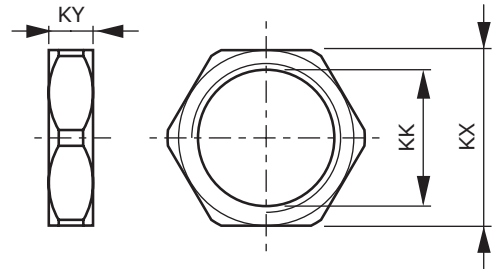
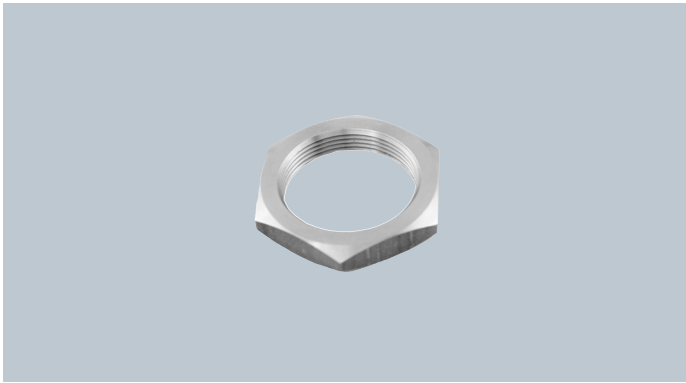
Ø	D	E	F	G	kg	Rep. set	Item number
25	Ø10	26,8	M22x1,5	45	0,08	U1902542-P	U1902549-48
32	Ø12	33,6	M30x1,5	47	0,15	U1903242-P	U1903249-48
40	Ø16	41,6	M36x1,5	50	0,25	U1904042-P	U1904049-48
50	Ø20	52,4	M42x1,5	63	0,40	U1905042-P	U1905049-48
63	Ø20	65,4	M42x1,5	63	0,55	U1906342-P	U1906349-48
80	Ø25	86	M55x1,5	75	1,00	U1908042-P	U1908049-48
100	Ø25	106	M55x1,5	81	1,90	U1910042-P	U1910049-48
125	Ø32	132	M60x2,0	105	4,50	U1912542-P	U1912549-48



Neck nut

Ø12 mm - Ø125 mm | AISI 304 (EN 1.4301)

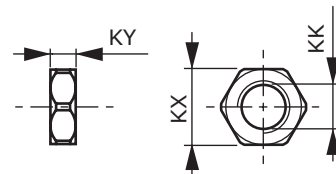
UNIC
STAINLESS CYLINDER



Ø	KK	KX	KY	kg	Item number
12/16	M16x1,5	24	8	0,018	U1901402
20/25	M22x1,5	27	8	0,018	U1902502
32	M30x1,5	36	8	0,030	U1903202
40	M36x1,5	46	8	0,055	U1904002
50/63	M42x1,5	55	8	0,110	U1905002
80/100	M55x1,5	70	12	0,180	U1909002
125	M60x2,0	90	12	0,500	U1912502

Piston rod nut

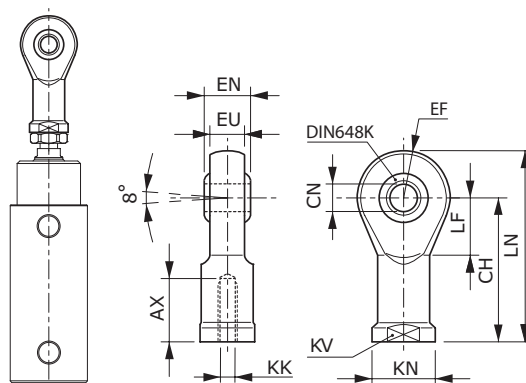
Ø12 mm - Ø125 mm | AISI 304 (EN 1.4301)



Ø	KK	KX	KY	kg	Item number
12/16	M6	10	3,5	0,005	U1901430
20	M8	13	4,0	0,008	U1902030
25/32	M10x1,25	17	5,0	0,010	U1903030
40	M12x1,25	19	6,0	0,012	U1904030
50/63	M16x1,50	24	8,0	0,017	U1905930
80/100	M20x1,50	30	9,0	0,030	U1909030
125	M27x2,00	41	13,5	0,108	U1912530

Rod eye

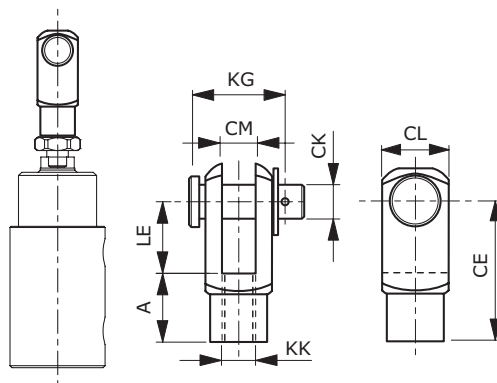
Ø12 mm - Ø125 mm | DIN/ISO 8139 | AISI 304 / AISI 303 / AISI 440C (EN 1.4301 / 1.4305 / 1.4125)

UNIC
 STAINLESS CYLINDER


Ø	AX	CH	CN	EF	EN	EU	KK	KN	KV	LF	LN	kg	Item number
12/16	12	30	Ø6	10	9	6,75	M6	13	11	11	40	0,020	U1901427
20	16	36	Ø8	12	12	9	M8	16	14	13	48	0,045	U1902027
25/32	20	43	Ø10	14	14	10,50	M10x1,25	19	17	15	57	0,061	U1903027
40	22	50	Ø12	16	16	12	M12x1,25	22	19	17	66	0,092	U1904027
50/63	28	64	Ø16	21	21	15	M16x1,50	27	22	22	85	0,179	U1905927
80/100	33	77	Ø20	25	25	18	M20x1,50	34	30	26	102	0,330	U1909027
125	51	110	Ø30	35	37	25	M27x2,00	50	41	36	145	1,166	U1912527

Rod clevis

Ø12 mm - Ø125 mm | DIN/ISO 8140 | AISI 303 (EN 1.4305)



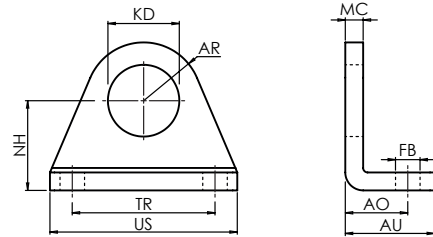
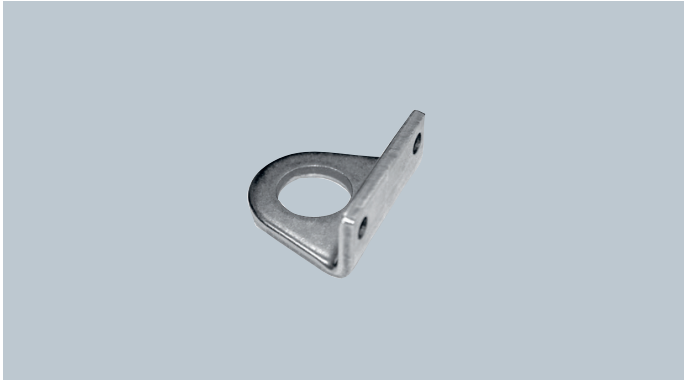
Ø	A	CE	CK	CL	CM	KG	KK	LE	kg	Item number
12/16	12	24	6	12	6	16	M6	12	0,025	U1901423
20	16	32	8	16	8	22	M8	16	0,049	U1902023
25/32	20	40	10	20	10	26	M10x1,25	20	0,095	U1903023
40	24	48	12	24	12	31,50	M12x1,25	24	0,160	U1904023
50/63	32	64	16	32	16	40,50	M16x1,50	32	0,355	U1905923
80/100	40	80	20	40	20	50	M20x1,50	40	0,726	U1909023
125	56	110	30	55	30	63	M27x2,00	54	1,602	U1912523



Foot mounting

Ø12 mm - Ø25 mm | DIN/ISO 6432 | AISI 304 (EN 1.4301)

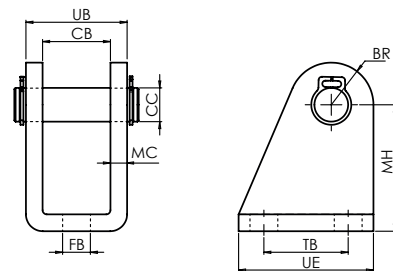
UNIC
STAINLESS CYLINDER



Ø	AO	AR	AU	FB	KD	MC	NH	TR	US	kg	Item number
12	14	13	20	Ø5,50	Ø16,10	3	20	32	42	0,042	U1901407
16	14	13	20	Ø5,50	Ø16,10	3	20	32	42	0,042	U1901407
20	17	20	25	Ø6,60	Ø22,10	3	25	40	54	0,090	U1902307
25	17	20	25	Ø6,60	Ø22,10	3	25	40	54	0,090	U1902307

Counter-support

Ø12 mm - Ø25 mm | DIN/ISO 6432 | AISI 304 (EN 1.4301)

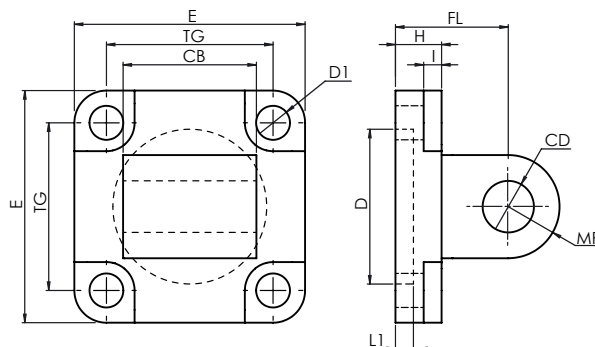
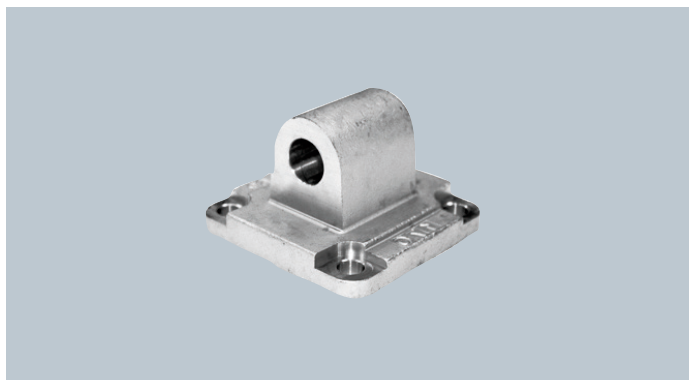


Ø	BR	CB	CC	FB	MC	MH	TB	UB	UE	kg	Item number
12	7	12,10	Ø6	Ø5,50	3	27	15	18,10	25	0,034	U1901403
16	7	12,10	Ø6	Ø5,50	3	27	15	18,10	25	0,034	U1901403
20	10	16,10	Ø8	Ø6,60	4	30	20	24,10	32	0,078	U1902303
25	10	16,10	Ø8	Ø6,60	4	30	20	24,10	32	0,078	U1902303

Counter-support

Ø32 mm - Ø125 mm | DIN/ISO 15552 | AISI 304 (EN 1.4301) | Incl. mounting screws

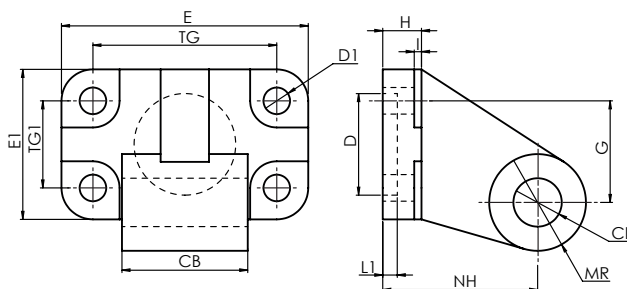
UNIC
STAINLESS CYLINDER



Ø	CB	CD	D	D1	E	FL	H	I	L1	MR	TG	kg	Item number
32	26	Ø10	Ø30	Ø6,60	45	22	9	3,5	5	10	32,50	0,16	U1903212E
40	28	Ø12	Ø35	Ø6,60	55	25	9	3,5	5	12	38	0,22	U1904012E
50	32	Ø12	Ø40	Ø9	65	27	11	4,5	5	12	46,50	0,37	U1905012E
63	40	Ø16	Ø45	Ø9	75	32	11	4,5	5	16	56,50	0,63	U1906312E
80	50	Ø16	Ø45	Ø11	95	36	14	4	5	16	72	1,2	U1908012E
100	60	Ø20	Ø55	Ø11	115	41	14	4	5	20	89	2	U1910012E
125	70	Ø25	Ø60	Ø14	140	50	20	10	7	25	110	3,5	U1912512E

Counter-support 90°

Ø32 mm - Ø125 mm | DIN/ISO 15552 | AISI 304 (EN 1.4301) | Incl. mounting screws



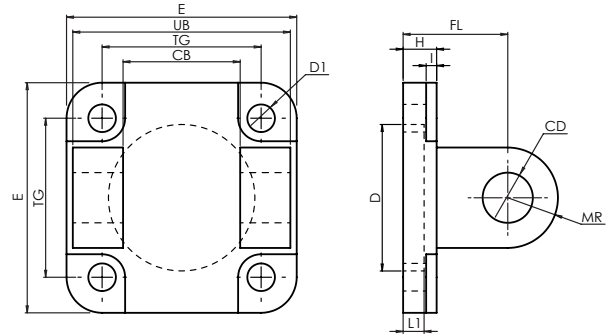
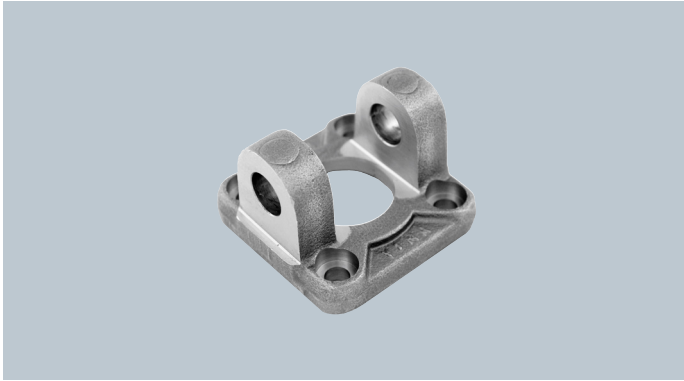
Ø	CB	CD	D	D1	E	E1	G	I	H	L1	MR	NH	TG	TG1	kg	Item number
32	26	Ø10	Ø21	Ø6,60	51	31	21	1,5	8	3	10	32	38	18	0,16	U1903213E
40	28	Ø12	Ø21	Ø6,60	54	35	24	1,5	10	3	11	36	41	22	0,25	U1904013E
50	32	Ø12	Ø21	Ø9	65	45	33	1,5	12	3	13	45	50	30	0,45	U1905013E
63	40	Ø16	Ø21	Ø9	67	50	37	1,5	12	3	15	50	52	35	0,60	U1906313E
80	50	Ø16	Ø21	Ø11	86	60	47	2,5	14	3	15	63	66	40	1	U1908013E
100	60	Ø20	Ø21	Ø11	96	70	55	2,5	15	3	18	71	76	50	1,5	U1910013E
125	70	Ø25	Ø21	Ø14	124	90	70	3	20	3	22	90	94	60	3,1	U1912513E



Clevis mounting

Ø32 mm - Ø125 mm | DIN/ISO 15552 | AISI 304 (EN 1.4301) | Incl. mounting screws

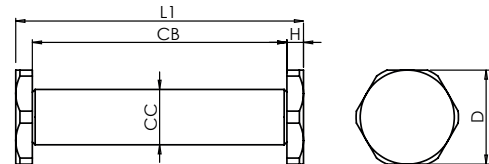
UNIC
STAINLESS CYLINDER



Cyl	CB	CD	D	D1	E	FL	I	H	L1	MR	TG	UB	kg	Item number
32	26	Ø10	Ø30	Ø6,60	45	22	2,5	8	5	10	32,50	45	0,1	U1903214E
40	28	Ø12	Ø35	Ø6,60	55	25	2,5	8	5	12	38	52	0,2	U1904014E
50	32	Ø12	Ø40	Ø9	65	27	3,5	10	5	12	46,50	60	0,3	U1905014E
63	40	Ø16	Ø45	Ø9	75	32	3,5	10	5	15	56,50	70	0,5	U1906314E
80	50	Ø16	Ø45	Ø11	95	36	3	13	-	15	72	90	0,9	U1908014E
100	60	Ø20	Ø55	Ø11	115	41	3	13	-	20	89	110	1,5	U1910014E
125	70	Ø25	Ø60	Ø14	140	50	6	16	-	25	110	130	2,9	U1912514E

Bolt for clevis

Ø32 mm - Ø125 mm | DIN/ISO 15552 | AISI 304 (EN 1.4301)

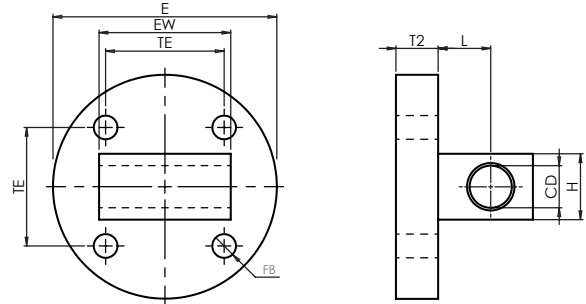
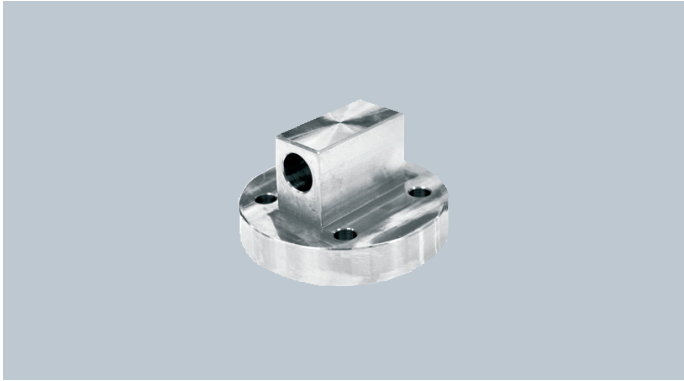


Cyl.	CB	CC	D	H	L1	kg	Item number
32	46	10	18,50	3	53	0,04	U1903215
40	53	12	18,50	3	59	0,05	U1904015
50	61	12	18,50	3	63	0,06	U1905015
63	71	16	26	4	78	0,15	U1906315
80	91	16	26	4	98	0,2	U1908015
100	111	20	34	5	120	0,3	U1910015
125	132	25	34	5	140	0,5	U1912515

Counter-support

Ø80 mm - Ø125 mm | DIN/ISO 15552 | AISI 304 (EN 1.4301) | Incl. mounting screws

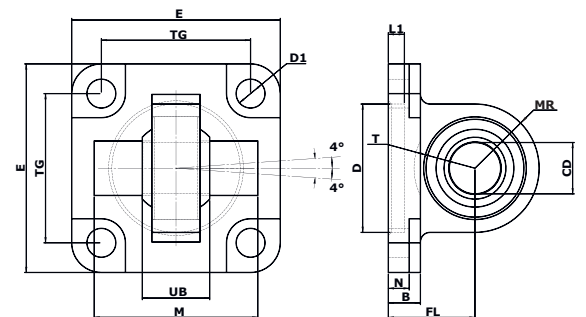
UNIC
STAINLESS CYLINDER



Cyl.	CD	E	EW	FB	H	L min.	TE	T2	kg	Item number
80	Ø16	85	50	Ø9	25	20	45	16	0,9	U1908004
100	Ø20	105	60	Ø10	30	25	55	16	1,6	U1910004
125	Ø20	130	70	Ø14	40	30	70	20	2,9	U1912504

Counter with rod eye

Ø32 mm - Ø125 mm | DIN/ISO 15552 | AISI 316L (EN 1.4404) | Incl. mounting screws



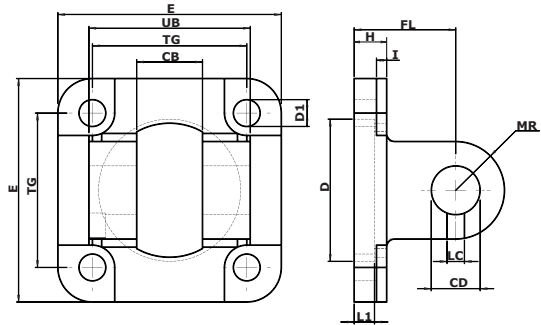
Cyl.	B	CD	D	D1	E	FL	L1	N	M	MR	T	TG	UB	kg	Item number
32	8	Ø10	Ø30	Ø6,60	45	22	5	5,5	-	15	-	32,50	14	0,1	U1903219E
40	8	Ø12	Ø35	Ø6,60	55	25	5	5,5	-	18	-	38	16	0,2	U1904019E
50	10	Ø16	Ø40	Ø9	65	27	5	6,5	51	20	19	46,50	21	0,3	U1905019E
63	10	Ø16	Ø45	Ø9	75	32	5	6,5	-	23	-	56,50	21	0,5	U1906319E
80	13	Ø20	Ø45	Ø11	95	36	5	10	70	27	24	72	25	1,0	U1908019E
100	13	Ø20	Ø55	Ø11	115	41	5	10	-	30	-	89	25	1,5	U1910019E
125	16	Ø30	Ø60	Ø13,50	140	50	7	10	102	40	35	110	37	3,0	U1912519E



Clevis mounting, slim

Ø32 mm - Ø125 mm | DIN/ISO 15552 | AISI 316L (EN 1.4404) | Incl. mounting screws

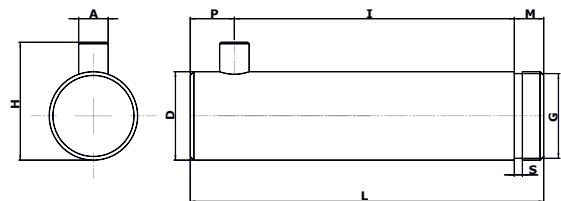
UNIC
STAINLESS CYLINDER



Cyl.	CB	CD	D	D1	E	FL	I	H	L1	MR	TG	UB	LC	kg	Item number
32	14	Ø10	Ø30	Ø6,60	45	22	2,5	8	5	10	32,50	34	3,3	0,1	U1903210E
40	16	Ø12	Ø35	Ø6,60	55	25	2,5	8	5	12	38	40	4,3	0,2	U1904010E
50	21	Ø12	Ø40	Ø9	65	27	3,5	10	5	12	46,50	45	4,3	0,3	U1905010E
63	21	Ø16	Ø45	Ø9	75	32	3,5	10	5	15	56,50	51	4,3	0,5	U1906310E
80	25	Ø16	Ø45	Ø11	95	36	3	13	-	15	72	65	4,3	1,0	U1908010E
100	25	Ø20	Ø55	Ø11	115	41	3	13	-	20	89	75	4,3	1,6	U1910010E
125	37	Ø30	Ø60	Ø13,50	140	50	6	16	-	30	110	97	6,3	3,2	U1912510E

Anti-rotation bolt - for slim clevis mounting

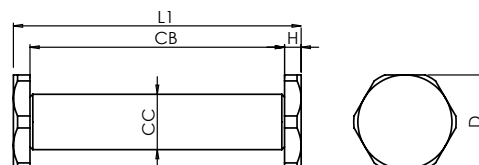
Ø32 mm - Ø125 mm | DIN/ISO 15552 | AISI 316L (EN 1.4404) | Incl. retaining ring



Cyl.	A	D	G	H	I	L	M	P	S	kg	Item number
32	3	10	9,6	14	32,5	41	4	4,5	1,1	0,03	U1903211E
40	4	12	11,5	16	38	48	4	6	1,1	0,05	U1904011E
50	4	16	15,2	20	43	54	5	6	1,1	0,1	U1905011E
63	4	16	15,2	20	49	60	5	6	1,1	0,1	U1906311E
80	4	20	19	24	63	75	6	6	1,3	0,2	U1908011E
100	4	20	19	24	73	85	6	6	1,3	0,2	U1910011E
125	6	30	28,6	36	94	110	7	9	1,6	0,6	U1912511E

Bolt for rear cap no. 18

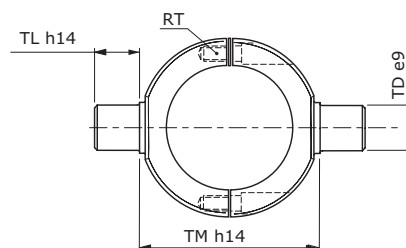
Ø32 mm - Ø125 mm | DIN/ISO 15552 | AISI 304 (EN 1.4301)

UNIC
 STAINLESS CYLINDER


Cyl.	CB	CC	D	H	L1	kg	Item number
32	36	10	18,50	3	42	0,03	U1903205
40	46	12	18,50	3	52	0,05	U1904005
50	51	12	18,50	3	57	0,06	U1905005
63	61	16	26	4	69	0,12	U1906305
80	71	16	26	4	79	0,14	U1908005
100	81	20	34	5	91	0,26	U1910005
125	101	25	34	5	111	0,45	U1912505

Pivot attachment

Ø32 mm - Ø125 mm | DIN/ISO 15552 | AISI 304 (EN 1.4301)



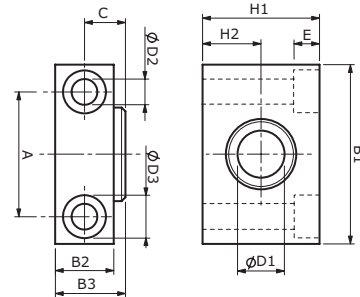
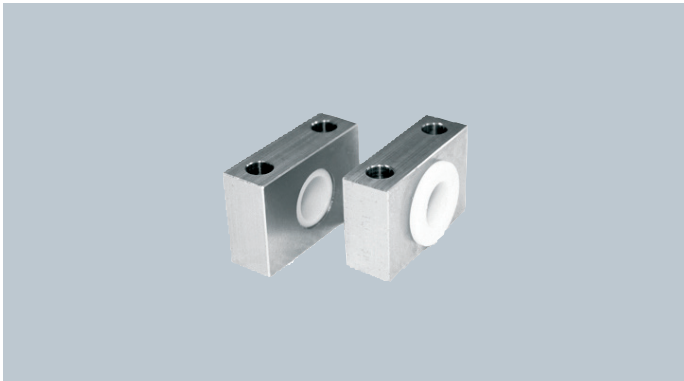
Cyl.	L1	RT	TD	TL	TM	kg	Item number
32	25	M5	12	18	50	0,20	U1903217
40	28	M5	16	21	63	0,37	U1904017
50	28	M5	16	21	75	0,37	U1905017
63	36	M5	20	23	90	0,76	U1906317
80	36	M6	20	23	110	0,90	U1908017
100	48	M6	25	28,50	132	1,40	U1910017
125	50	M6	25	28,50	160	1,70	U1912517



Swivel bearing - set

Ø32 mm - Ø125 mm | DIN/ISO 15552 | AISI 304 (EN 1.4301)

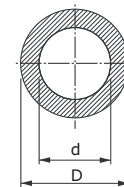
UNIC
STAINLESS CYLINDER



Cyl.	A	B1	B2	B3	C	D1	D2	D3	E	H1	H2	kg	Item number
32	32	46	15	18	11	12	6,60	11	7	30	15	0,25	U1903216
40	36	55	18	21	12	16	9	15	9	36	18	0,40	U1904516
50	36	55	18	21	12	16	9	15	9	36	18	0,40	U1904516
63	42	65	20	23	13	20	11	18	11	40	20	0,50	U1907016
80	42	65	20	23	13	20	11	18	11	40	20	0,50	U1907016
100	50	75	25	28,50	16	25	14	20	13	50	25	0,99	U1911016
125	50	75	25	28,50	16	25	14	20	13	50	25	0,99	U1911016

Superflex nylon hose

Ø4 mm - Ø12 mm | PA (Natural) / PVDF (Teflon)

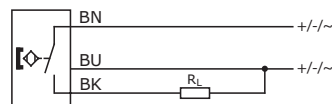


D	d	Length	Item number - PA (Natural)	Item number - PVDF (Teflon)
Ø4	Ø2	100 meter	PA0501-4/2	HN-PVDF-4/2
Ø6	Ø4	100 meter	PA0501-6/4	HN-PVDF-6/4
Ø8	Ø6	100 meter	PA0501-8/6	HN-PVDF-8/6
Ø10	Ø8	100 meter	PA0501-10/8	HN-PVDF-10/8
Ø12	Ø9	100 meter	PA0501-12/9	HN-PVDF-12/9

Reed sensor

Synthetic | IP67

UNIC
STAINLESS CYLINDER



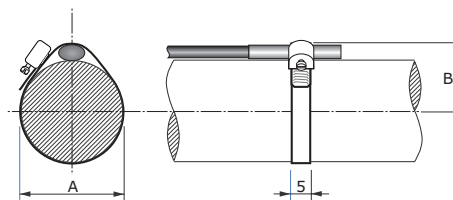
Core colors

BN=brown / BK=black / BU=blue

Conduct	Voltage	Power (max)	Connexion	Item number
3	10 - 30V DC	100 mA DC	3 m PUR	R412022869
3	10 - 30V DC	100 mA DC	5 m PUR	R412022870

Accessories for reed sensor

Ø12 mm - Ø125 mm | AISI 304 (EN 1.4301)



Cyl.	A	B	Item number
12	15	11	U1900312
16	19	13	U1900313
20	23	15	U1900314
25	29	18	U1900315
32	36	21	U1900316
40	44	25	U1900317
50	55	30	U1900318
63	68	37	U1900319
80	86	47	U1900320
100	106	57	U1900321
125	131	70	U1900322



Stainless steel fittings

Viton o-ring | AISI 316 (EN 1.4404)

UNIC
STAINLESS CYLINDER

Parallel swivelling elbow fitting, male

Thread	Tube	Item number
M5	Ø4	MX 16 04 M5
	Ø4	MX 16 04 18
G 1/8"	Ø6	MX 16 06 18
	Ø8	MX 16 08 18
G 1/4"	Ø6	MX 16 06 14
	Ø8	MX 16 08 14



Union elbow

Tube	Item number
Ø4	MX 28 04 04
Ø6	MX 28 06 06
Ø8	MX 28 08 08
Ø10	MX 28 10 10
Ø12	MX 28 12 12

Swivelling tee fitting, parallel

Thread	Tube	Item number
M5	Ø4	MX 21 04 M5
	Ø4	MX 21 04 18
G 1/8"	Ø6	MX 21 06 18
	Ø8	MX 21 08 18
G 1/4"	Ø6	MX 21 06 14
	Ø8	MX 21 08 14



Union tee

Tube	Item number
Ø4	MX 29 04 04
Ø6	MX 29 06 06
Ø8	MX 29 08 08
Ø10	MX 29 10 10
Ø12	MX 29 12 12

Reducer, male

Thread	Item number
G 1/8 "	VX 25 04 06
G 1/4 "	VX 25 06 08

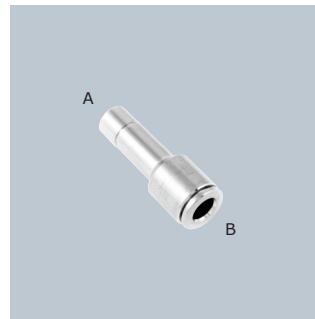


Single banjo ring

Thread	Tube	Item number
G 1/8 "	Ø4	MX 35 04 18
	Ø6	MX 35 06 18
	Ø8	MX 35 08 18
G 1/4 "	Ø6	MX 35 06 14
	Ø8	MX 35 08 14

Parallel straight, male

Thread	Tube	Item number
M5	Ø4	MX 12 04 M5
	Ø4	MX 12 04 18
G 1/8"	Ø6	MX 12 06 18
	Ø8	MX 12 08 18
1/4"	Ø6	MX 12 06 14
	Ø8	MX 12 08 14

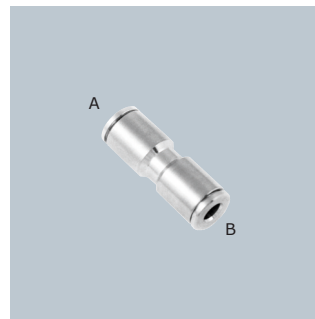
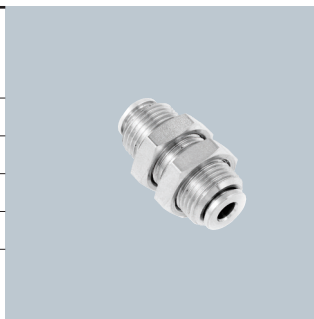


Reduction

Tube A	Tube B	Item number
Ø4	Ø6	MX 25 04 06
Ø6	Ø8	MX 25 06 08
Ø8	Ø10	MX 25 08 10

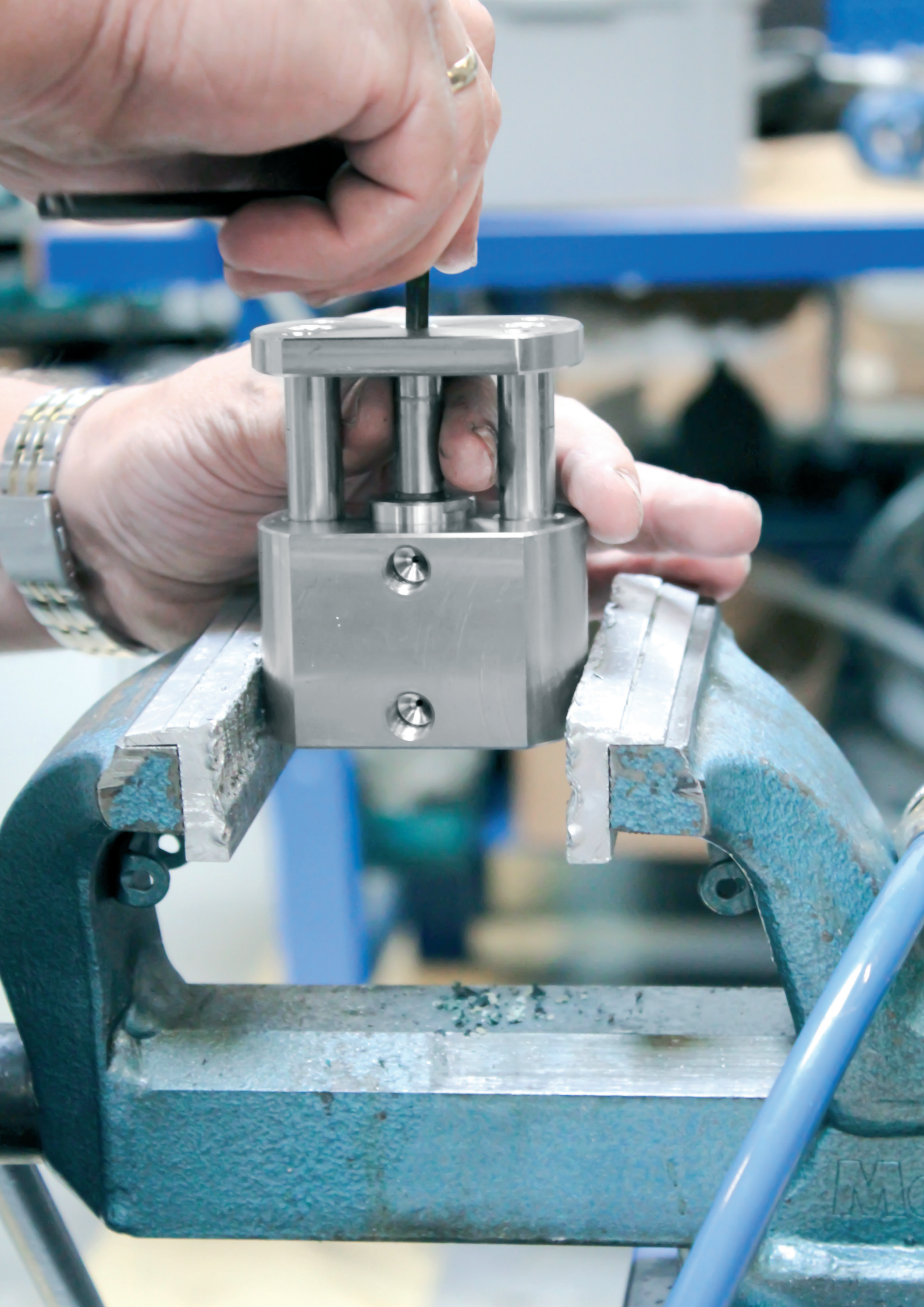
Bulkhead union, male

Thread	Tube	Item number
M12x1	Ø4	MX 27 04 04
M14x1	Ø6	MX 27 06 06
M16x1	Ø8	MX 27 08 08
M18x1	Ø10	MX 27 10 10
M20x1	Ø12	MX 27 12 12



Union

Tube A	Tube B	Item number
Ø4	Ø4	MX 26 04 04
Ø6	Ø6	MX 26 06 06
Ø8	Ø8	MX 26 08 08
Ø10	Ø10	MX 26 10 10
Ø12	Ø12	MX 26 12 12





Custom cylinders

UNIC
STAINLESS CYLINDER

Today persons and machinery in the automation- and process industry are facing greater and greater demands to flexibility.

Adaptation of the production equipment to every single company's wishes and demands has been made possible by means of technology.

At HNC we produce cylinders exactly matching your demands and machinery, seeing to your plants quickly can swift to new productions and thus always be abreast of the demands of the market.

Our product range enables both individually tailored products as well as standard solutions designed to the exact demands of the customer in order to avoid unnecessary expenses to oversized equipment.

Specially tailored solutions might be:

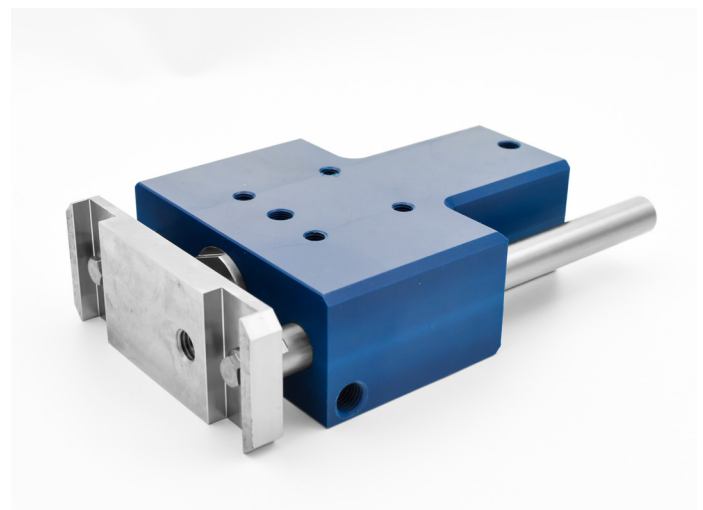
- Stroke
- Diameter
- Front- and rear caps
- Steel qualities
- Piston rod
- Spring and brake
- Chemical- and heat resistant

Standard as well as customer tailored solutions can be delivered within a very short time. Machinery breakdown is expensive, HNC's delivery guarantee is your operating security.

2D / 3D files

In our design- and development division the cylinders are drawn both in 2D and 3D, and of course we are able to draw according to the wishes of our customers.

We can supply our customers with 3D files for putting these directly into the customers own constructions.



Repair kit for cylinders

UNIC
 STAINLESS CYLINDER

Standard cylinder DIN/ISO 6432 without brake
Ø12 mm - Ø25 mm | Rep. kit

Ø	Standard	Heat	Chemical
12	U1901231	U1901231-H	U1901231-C
16	U1901631	U1901631-H	U1901631-C
20	U1902031	U1902031-H	U1902031-C
25	U1902531	U1902531-H	U1902531-C

Standard cylinder DIN/ISO 6432 with brake
Ø12 mm - Ø25 mm | Rep. kit

Ø	Standard	Heat	Chemical
12	-	-	-
16	-	-	-
20	U1902032	U1902032-H	U1902032-C
25	U1902532	U1902532-H	U1902532-C

Standard cylinder DIN/ISO 15552
Ø32 mm - Ø125 mm | Rep. kit

Ø	Standard	Heat	Chemical	PTFE
32	U1903232	U1903232-H	U1903232-C	U1903232-P
40	U1904032	U1904032-H	U1904032-C	U1904032-P
50	U1905032	U1905032-H	U1905032-C	U1905032-P
63	U1906332	U1906332-H	U1906332-C	U1906332-P
80	U1908032	U1908032-H	U1908032-C	U1908032-P
100	U1910032	U1910032-H	U1910032-C	U1910032-P
125	U1912532	U1912532-H	U1912532-C	U1912532-P

Standard cylinder DIN/ISO 15552
Ø32 mm - Ø100 mm | Rep. kit | 2130

Ø	Standard
32	U1903237
40	U1904037
50	U1905037
63	U1906337
80	U1908037
100	U1910037

Compact cylinder ISO 21287
Ø20 mm - Ø100 mm | Rep. kit | 5150

Ø	Standard
20	KIT XDM020 GS
25	KIT XDM025 GS
32	KIT XDM032 GS
40	KIT XDM040 GS
50	KIT XDM050 GS
63	KIT XDM063 GS
80	KIT XDM080 GS
100	KIT XDM100 GS

Festo kompatibel cylinder
Ø32 mm - Ø63 mm | Rep. kit | 2538 / 2334

Ø	Standard	Heat	Chemical	PTFE
32	U1903232	U1903232-H	U1903232-C	U1903232-P
40	U1904032	U1904032-H	U1904032-C	U1904032-P
50	U1905032	U1905032-H	U1905032-C	U1905032-P
63	U1906332	U1906332-H	U1906332-C	U1906332-P

Festo kompatibel cylinder
Ø32 mm - Ø63 mm | Rep. kit | 1112

Ø	Standard	Chemical	PTFE
32	U1903233	U1903233-C	U1903233-P
40	U1904033	U1904033-C	U1904033-P
50	U1905033	U1905033-C	U1905033-P
63	U1906333	U1906333-C	U1906333-P



Theoretical cylinder forces

Theoretical cylinder forces given in Newton

Ø	Piston rod Ø	Piston area cm ²		3 bar		4 bar		5 bar		6 bar		7 bar		8 bar		9 bar		10 bar	
		•	◦	•	◦	•	◦	•	◦	•	◦	•	◦	•	◦	•	◦	•	◦
12	6	1,1	0,8	29	22	39	30	48	37	58	45	68	52	77	60	87	67	97	75
16	6	2,0	1,7	53	46	70	61	88	76	106	91	123	107	141	122	158	137	176	152
20	8	3,1	2,6	82	69	109	92	136	114	164	137	191	160	218	183	246	206	273	229
25	10	4,9	4,1	129	108	172	144	216	180	259	216	302	253	345	289	388	325	421	361
32	12	8,0	6,9	212	182	282	243	352	304	422	364	493	425	563	486	634	546	704	607
40	16	12,6	10,6	333	282	444	373	554	466	665	560	776	653	887	746	998	840	1109	933
50	20	19,6	16,5	517	436	690	581	862	726	1035	871	1207	1016	1380	1162	1552	1307	1725	1452
63	20	31,1	28,0	824	739	1098	986	1373	1232	1647	1478	1923	1725	2196	1971	2471	2218	2746	2464
80	25	50,3	45,3	1328	1199	1771	1598	2213	1998	2656	2397	3098	2797	3541	3196	3984	3596	4426	3995
100	25	78,5	73,6	2072	1943	2763	2591	3454	3238	4145	3886	4836	4534	5526	5181	6217	5829	6908	6477
125	32	122,7	114,6	3239	3028	4319	4037	5399	5047	6479	6056	7558	7066	8638	8075	9718	9084	10798	10094

• = Cylinder in plus direction ◦ = Cylinder in minus direction

Air consumption in NI / double stroke

Ø	Piston rod Ø	Stroke mm	3 bar	4 bar	5 bar	6 bar	7 bar	8 bar	9 bar	10 bar
12	6	100	0,08	0,10	0,12	0,14	0,16	0,18	0,20	0,22
16	6	100	0,15	0,19	0,22	0,26	0,30	0,33	0,37	0,41
20	8	100	0,23	0,29	0,34	0,40	0,46	0,51	0,57	0,63
25	10	100	0,36	0,45	0,54	0,63	0,71	0,80	0,89	1,00
32	12	100	0,59	0,74	0,89	1,00	1,20	1,30	1,50	1,60
40	16	100	0,92	1,10	1,40	1,60	1,80	2,10	2,30	2,50
50	20	100	1,40	1,80	2,10	2,50	2,90	3,20	3,60	3,90
63	20	100	2,30	2,90	3,50	4,10	4,70	5,30	5,90	6,40
80	25	100	3,80	4,70	5,70	6,60	7,60	8,50	9,50	10,40
100	25	100	6,00	7,50	9,00	10,50	12,00	13,50	15,00	16,60
125	32	100	9,40	11,80	14,10	16,40	18,80	21,10	23,50	25,80

Follow us



www.hncgroup.dk

HNC
GROUP



Borgergade 17 | 4241 Vemmelev | Denmark



+45 7013 2300



sales@hncgroup.dk



www.hncgroup.dk

HNC Group is part of
momentum
group 

